

Parker Hannifin Instrumentation Group China

DY Series 1-Piece Ball Valve

Catalog 1001C-DY



General Description

DY series 1-piece, stainless steel ball valves provide total shut-off capability for services up to 69 Bar (1000 PSI).

Features

- Ball valve bodies are machined from CF-8M stainless steel castings, equivalent of 316 stainless steel which is suited for corrosive environments.
- Highly inert PTFE seats and seals provide resistance to chemical corrosion.
- For chemical and industrial applications.
- Blowout proof stem design, 316 stainless ball and a special design handle enable increased turn and leverage for ease of opening and closing.
- 100% factory tested.

Options

- Locking device

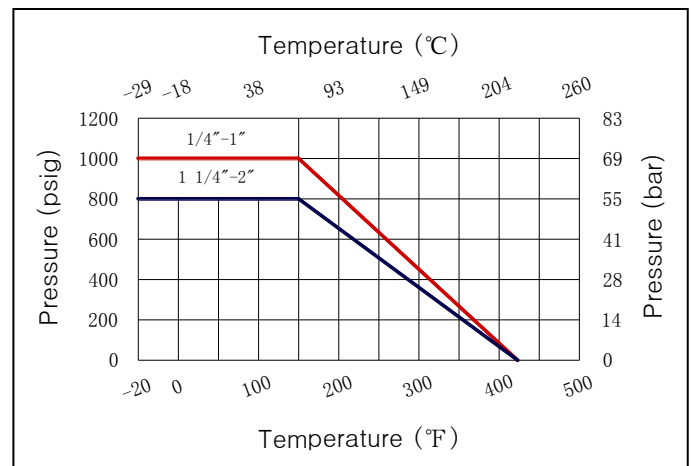
Specifications

Working Pressure	69 Bar (1000 PSI)
Temperature Ratings	-60 °F to 430 °F
Body Material	CF8M Stainless Steel 316SS Cast Equivalent
Ball and Stem Material	316 Stainless Steel
End Type	Threaded

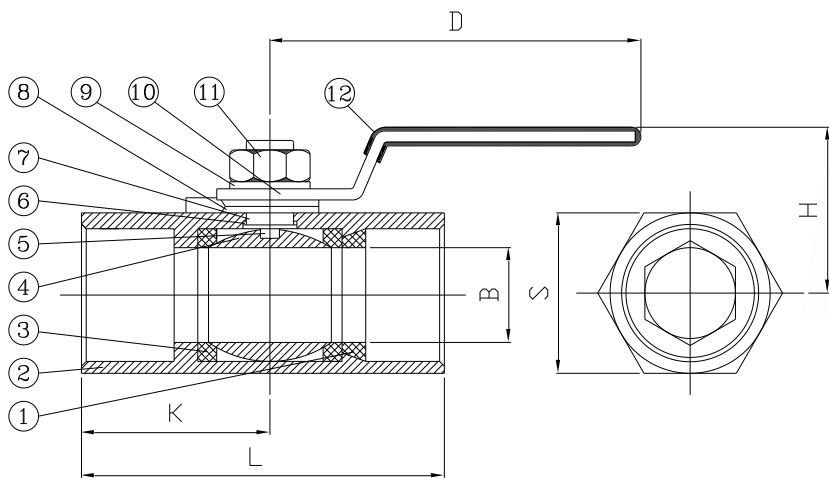


Model Shown: 16F-DY16L-T-SS

Pressure vs. Temperature



ENGINEERING YOUR SUCCESS.



Materials List

Item	Part	Material
1	Insert	CF8M
2	Body	CF8M
3	Seat	PTFE
4	Ball	SS 316
5	Stem	SS 316
6	Thrust Washer	PTFE
7	Stem Packing	PTFE
8	Gland Washer	SS 304
9	Washer	SS 304
10	Handle	SS 304
11	Nut Stopper	SS 304
12	Sleeve	Plastic

Dimensions (mm)

Part No.	Size	B	H	D	L	S	K	W(kg)
4F-DY4L-T-SS	1/4"	5	38	62.5	39	17	19	0.07
6F-DY6L-T-SS	3/8"	7	40	73	44	21	21	0.11
8F-DY8L-T-SS	1/2"	9.2	51	85	56.5	25	27.5	0.18
12F-DY12L-T-SS	3/4"	12.5	53	87	59	32	30	0.26
16F-DY16L-T-SS	1"	16.0	56	107	71	38	36	0.42
20F-DY20L-T-SS	1 1/4"	20	61	107	78	49	40	0.75
24F-DY24L-T-SS	1 1/2"	25	68	130	83	53	42.5	0.85
32F-DY32L-T-SS	2"	32	73	130	100	65	51	1.35

How to Order

The correct part number is easily derived from the following number sequence. The six product characteristics required are coded as shown below.

Example: 8F - DY8L - T - SS Describes a DY8L Two-Way Ball Valve with 1" female NPT end connections for inlet and outlet ports, PTFE seals, and stainless steel construction.

8	F	DY8	L	T	SS
Port Size	Inlet / Outlet Ports	Valve Series	Valve Configuration	Seal Material	Body Material
4	F - Female NPT	DY4	L - 2 Way	T - PTFE	SS - Stainless Steel
6		DY6			
8		DY8			
12		DY12			
16		DY16			
20		DY20			
24		DY24			
32	DY32				



ENGINEERING YOUR SUCCESS.