



# XYF-QZT 系列 整体式仪表球阀

XYF - QZT One-piece Instrument Ball Valve

# SINYA



## 目 录

## CONTENT



- 10 ● -QZT1-SK卡套(2通)阀门  
Two-way valve with ferrule



- 10 ● -QZT1-LWF内螺纹(2通)阀门  
Two-way female valve



- 11 ● -QZT1-SKF卡套内螺纹(2通)阀门  
Two-way female valve with ferrule



- 11 ● -QZT1-FM内外螺纹(2通)阀门  
Two-way female-male valve



- 12 ● -QZT2-SK卡套角型(2通)阀门  
Two-way angle-type valve with ferrule



- 12 ● -QZT2-LWF内螺纹角型(2通)阀门  
Two-way angle-type female valve



- 13 ● -QZT2-SKM卡套外螺纹角型(2通)阀门  
Two-way angle-type male valve with ferrule



- 13 ● -QZT2-FM内外螺纹角型(2通)阀门  
Two-way angle-type female-male valve



- 14 ● -QZT3-SK卡套切换(3通)阀门  
Three-way changeover valve with ferrule



- 14 ● -QZT3-LWF内螺纹切换(3通)阀门  
Three-way changeover female valve



- 15 ● -QZT4-SK交叉转换(4通)阀门  
Four-way overlap changeover valve



- 15 ● -QZT6-SK交叉转换(6通)阀门  
Six-way overlap changeover valve



- 16 ● -QZT5-SK切换(5通)阀门  
Five-way changeover valve



- 17 ● -QZT7-SK切换(7通)阀门  
Seven-way changeover valve

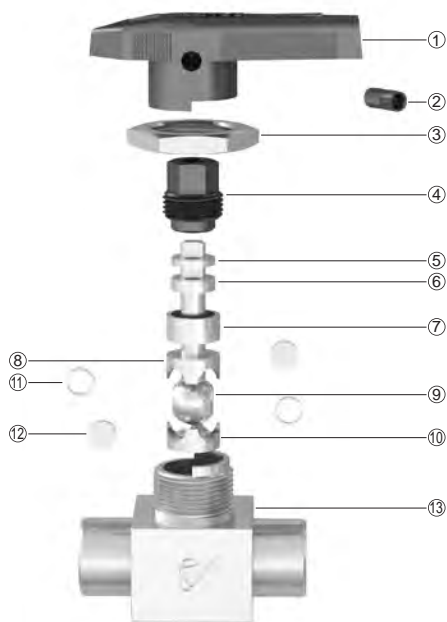


- 18 ● 排放口和手柄选购  
Drainage port & hand-wheel selection

# XYF-QZT系列整体式仪表球阀

## XYF —QZT One-piece Instrument Ball Valve

### ● 结构材料 Structure Material



| 件号<br>Part<br>No. | 零件名称<br>Component Name | 阀体材料 Body Material                            |             |              |
|-------------------|------------------------|---|-------------|--------------|
|                   |                        | 黄铜<br>Copper                                  | 钢<br>Steel  | 合金<br>Alloy  |
|                   |                        | 材料等级/ASTM规格 Material Class/ASTM Specification |             |              |
| 1                 | 手柄 Hand wheel          | 带有嵌件的尼龙 Nylon with inserts                    |             |              |
| 2                 | 固定螺钉 Mounting Bolt     | 不锈钢 Stainless Steel                           |             |              |
| 3                 | 锁紧螺母 Lock Nut          | 黄铜 Brass                                      | 304SS、316SS | 合金 Alloy 400 |
| 4                 | 调节螺栓 Adjusting Bolt    | 黄铜 Brass                                      | 304SS、316SS | 合金 Alloy 400 |
| 5                 | 压垫 Pressure Pad        | 黄铜 Brass                                      | 304SS、316SS | 合金 Alloy 400 |
| 6                 | 衬套 Bush                | PTFE  |             |              |
| 7                 | 压盖 Gland               | 黄铜 Brass                                      | 304SS、316SS | 合金 Alloy 400 |
| 8                 | 上部填料 Top Packing       | PTFE  |             |              |
| 9                 | 连杆球 Linkage Ball       | 黄铜 Brass                                      | 304SS、316SS | 合金 Alloy 400 |
| 10                | 下部填料 Bottom Packing    | PTFE  |             |              |
| 11                | 衬环 Lined Ring          | 黄铜 Brass                                      | 304SS、316SS | 合金 Alloy 400 |
| 12                | 衬盘 Lined Plate         | 黄铜 Brass                                      | 304SS、316SS | 合金 Alloy 400 |
| 13                | 阀体 Body                | 黄铜 Brass                                      | 304SS、316SS | 合金 Alloy 400 |

### ● 技术说明

- 球阀设计用于全开或全关闭位置
- 在一段时间内没有开启过的阀门可能会有较高的初始执行扭矩
- 在阀门使用过程中可能需要调节填料以防泄漏
- 调节填料时根据规格尺寸必须使用专门的工具或扳手
- 每个QZT系列阀门都必须经过调整用于在1000psi (69bar) 额定压力条件下进行氮气测试

### ● Technical Description

- Ball valves are designed to use in the full-open or full-close positions.
- There would be a lit bit higher start executing torque for the valves which haven't been used for a long time.
- Packing might be adjusted to avoid leakage during the valve operation.
- Special tools or wrenches should be used to adjust the packing according to detailed specifications or sizes.
- Each QZT valve should be done nitrogen test under the rated pressure of 1000psi (69bar).

## 特点

顶部负载设计允许对阀门进行在线调整。  
指向性手柄指示孔口位置。  
盒状阀座填料  
一体式球形阀杆确保阀杆和孔口对齐。

- 用改良过的PTFE制成
- 不需要系统压力来密封
- 事实上没有死区
- 允许双向流动
- 易于清洁和清洗

◎ 多种结构形式、连接方式和尺寸可选

- ◎ 阀杆上的密封填料可在线调整
- ◎ 可切换、交叉转换多种流动路径
- ◎ 温度范围从-53°C~148°C (-65~300 °F)
- ◎ 工作压力最高可达3000psi (206bar)
- ◎ 尺寸1/16~3/4in和3~12mm端接
- ◎ 每只阀门用1.1倍工作压力的氮气进行密封测试

◎ QZT系列球阀可与国外同类产品进行互换

◎ 可配置气动和电动执行机构

## Feature

Top-loading design can permit the valve to be adjusted on line.  
Directive hand-wheel indicates the hole position.  
Box-like valve seat packing  
The one-piece ball-type valve stem and the hole should be assured to be aligned.

- Made of improved PTFE
- It is not necessary to use system pressure for sealing.
- There is no dead area in fact.
- Bidirectional flow is permitted.
- It is easy to clean and clear.

◎ There are many kinds of structure types with different connecting modes and sizes for selection.

- ◎ Sealing filler on the valve stem can be adjusted online.
- ◎ Many flow paths can be switched over and overlap changed over.
- ◎ Temperature range: -53°C~148°C(-65~300°F)
- ◎ The maximum operating pressure can be up to 3000psi (206bar).
- ◎ Size: 1/16~3/4", End size: 3~12mm

◎ Sealing test with nitrogen of 1.1 times of operating pressure should be done to each valve.

◎ QZT valve can be interchangeable with the same types of valves imported from abroad.

◎ Air-actuated & electro-actuated actuator can be supplied together.

## 压力-温度额定值 Pressure-temperature Rated Value

QZT系列阀门设计用于在环境及加热过程应用中的热循环

QZT valves are designed to be used for heat recycling in the environment and heat processing.

| 结构形式 Structure Type    | 2、3通 /2 or 3-way                  | 4、5、6、7通 /4,5,6,7-way | 2、3通 / 2 or 3-way      | 4、5、6、7通 / 4,5,6,7-way |
|------------------------|-----------------------------------|-----------------------|------------------------|------------------------|
| 填料材料 Packing Material  | PTFE                              |                       | 改良后的PTFE Improved PTFE |                        |
| 温度 °C (°F) Temperature | 工作压力 psi (bar) Operating Pressure |                       |                        |                        |
| -53 (-65) 至 10 (50)    | 2500 (172)                        | 2000 (138)            | 3000 (206)             | 2500 (172)             |
| 10 (50) 至 65 (150)     | 2500 (172)                        | 2000 (138)            | 3000 (206)             | 2500 (172)             |
| 93 (200)               | 2500 (172)                        | 1500 (103)            | 2800 (193)             | 2000 (138)             |
| 121 (250)              | 2500 (172)                        | 1500 (103)            | 2650 (182)             | 1500 (103)             |
| 148 (300)              | 2500 (172)                        | 1000 (69)             | 2500 (172)             | 1000 (69)              |

# XYF-QZT系列整体式仪表球阀



## XYF —QZT One-piece Instrument Ball Valve

20°C (70°F) 时的流量数据 Flow data under 20°C (70°F)

| 流量系数 (Cv)<br>Flow coefficient | 降至大气压的压降 (Δp) 、psi (bar) Drop to Air pressure drop (Δp) 、psi (bar) |             |             |                                    |           |           |
|-------------------------------|--|-------------|-------------|------------------------------------|-----------|-----------|
|                               | 10 (0.68)  | 50 (3.4)    | 100 (6.8)   | 10 (0.68)                          | 50 (3.4)  | 100 (6.8) |
|                               | 空气流量 Air Flow std ft <sup>3</sup> /min (std L/min)                 |             |             | 水流量 Water Flow gal/min (std L/min) |           |           |
| 0.05                          | 0.6 (16)   | 1.5 (42)    | 2.6 (73)    | 0.1 (0.3)                          | 0.3 (1.1) | 0.5 (1.8) |
| 0.06                          | 0.7 (19)   | 1.8 (50)    | 3.2 (90)    | 0.2 (0.7)                          | 0.4 (1.5) | 0.6 (2.2) |
| 0.07                          | 0.8 (22)   | 2.1 (59)    | 3.7 (100)   | 0.2 (0.7)                          | 0.5 (1.8) | 0.7 (2.6) |
| 0.08                          | 0.9 (25)   | 2.4 (67)    | 4.3 (120)   | 0.3 (1.1)                          | 0.6 (2.2) | 0.8 (3.0) |
| 0.10                          | 1.1 (31)   | 3.0 (84)    | 5.3 (150)   | 0.3 (1.1)                          | 0.7 (2.6) | 1.0 (3.7) |
| 0.15                          | 1.7 (48)   | 4.5 (120)   | 8.0 (220)   | 0.4 (1.5)                          | 1.0 (3.7) | 1.5 (5.6) |
| 0.20                          | 2.3 (65)   | 6.0 (160)   | 11 (310)    | 0.6 (2.2)                          | 1.4 (5.2) | 2.0 (7.5) |
| 0.30                          | 3.4 (96)   | 9.0 (250)   | 16 (450)    | 0.9 (3.4)                          | 2.1 (7.9) | 3.0 (11)  |
| 0.35                          | 4.0 (110)  | 10 (280)    | 19 (530)    | 1.1 (4.1)                          | 2.4 (9.0) | 3.5 (13)  |
| 0.50                          | 5.0 (150)  | 15 (420)    | 27 (760)    | 1.6 (6.0)                          | 3.5 (13)  | 5.0 (18)  |
| 0.60                          | 6.8 (190)  | 18 (500)    | 32 (900)    | 1.9 (7.1)                          | 4.2 (15)  | 6.0 (22)  |
| 0.70                          | 7.9 (220)  | 21 (590)    | 37 (1000)   | 2.2 (8.3)                          | 4.9 (18)  | 7.0 (26)  |
| 0.75                          | 8.5 (240)  | 620 (620)   | 40 (1100)   | 2.3 (8.7)                          | 5.3 (20)  | 7.5 (28)  |
| 0.80                          | 9.0 (250)  | 24 (670)    | 42 (1100)   | 2.5 (9.4)                          | 5.6 (21)  | 8.0 (30)  |
| 0.90                          | 10 (280)   | 27 (760)    | 48 (1300)   | 2.8 (10)                           | 6.4 (24)  | 9.0 (34)  |
| 1.2                           | 14 (390)   | 36 (1000)   | 64 (1800)   | 3.8 (14)                           | 8.5 (32)  | 12 (45)   |
| 1.4                           | 16 (450)   | 42 (1100)   | 74 (2000)   | 4.4 (16)                           | 9.9 (37)  | 14 (52)   |
| 1.5                           | 17 (480)   | 45 (1200)   | 80 (2200)   | 4.7 (17)                           | 11 (41)   | 15 (56)   |
| 1.6                           | 18 (500)   | 48 (1300)   | 85 (2400)   | 5.0 (18)                           | 11 (41)   | 16 (60)   |
| 1.7                           | 19 (530)   | 51 (1400)   | 90 (2500)   | 5.3 (20)                           | 12 (45)   | 17 (64)   |
| 2.0                           | 22 (620)   | 60 (1600)   | 100 (2800)  | 6.3 (23)                           | 14 (52)   | 20 (75)   |
| 2.4                           | 27 (760)   | 72 (2000)   | 120 (3300)  | 7.6 (28)                           | 17 (64)   | 24 (90)   |
| 2.6                           | 29 (820)   | 78 (2200)   | 140 (3900)  | 8.2 (31)                           | 18 (68)   | 26 (98)   |
| 3.0                           | 34 (960)   | 90 (2500)   | 160 (4500)  | 9.5 (35)                           | 21 (79)   | 30 (110)  |
| 3.5                           | 39 (1100)  | 100 (2800)  | 180 (5000)  | 11 (41)                            | 25 (94)   | 35 (130)  |
| 3.8                           | 43 (1200)  | 110 (3100)  | 200 (5600)  | 12 (45)                            | 27 (100)  | 38 (140)  |
| 4.6                           | 52 (1400)  | 140 (3900)  | 240 (6700)  | 15 (56)                            | 33 (120)  | 46 (170)  |
| 6.0                           | 68 (1900)  | 180 (5000)  | 320 (9000)  | 19 (71)                            | 42 (150)  | 60 (220)  |
| 6.3                           | 71 (2000)  | 190 (5300)  | 330 (9300)  | 20 (75)                            | 45 (170)  | 63 (230)  |
| 6.4                           | 72 (2000)  | 190 (5300)  | 340 (9600)  | 20 (75)                            | 45 (170)  | 64 (240)  |
| 12                            | 130 (3600)   | 360 (10000) | 640 (18000) | 38 (140)                           | 85 (320)  | 120 (450) |

## 订购信息及选型 Order information and Size



| 1. 材料 Material |                          |
|----------------|--------------------------|
| B              | = 黄铜 Brass               |
| M              | = 合金 Alloy 400           |
| SS             | = 316不锈钢 Stainless steel |
| SS2            | = 304不锈钢 SS              |
| SS3            | = 304L不锈钢 SS             |
| SS4            | = 316L不锈钢 SS             |

### 2. QZT系列号 QZT Serial code

| 3. 表示结构形式 Represent the structure type |                           |
|--|---------------------------|
| 1                                      | = 直通 Straight type        |
| 2                                      | = 角式 Angle-type           |
| 3                                      | = 切换三通 3-way Switchover   |
| 4                                      | = 转换四通 4-way changeover   |
| 5                                      | = 切换五通 5-way switchover   |
| 6                                      | = 转换六通 6-way changeover   |
| 7                                      | = 切换七通 7-way switchover   |
| 8                                      | = 带排放口 with drainage port |

| 4. 表示连接方式 represent connecting type |                             |
|-------------------------------------|-----------------------------|
| SK                                  | = 双卡套 double ferrules       |
| LWF                                 | = 内螺纹 female                |
| FM                                  | = 内外螺纹 female-male          |
| SKF                                 | = 卡套内螺纹 female with ferrule |
| SKM                                 | = 卡套外螺纹 male with ferrule   |

| 5. 配管尺寸 OD size |        |         |      |
|-----------------|--------|---------|------|
| 英制 (in)         |        | 公制 (mm) |      |
| 1               | = 1/16 | 2       | = 2  |
| 2               | = 1/8  | 3       | = 3  |
| 3               | = 3/16 | 4       | = 4  |
| 4               | = 1/4  | 6       | = 6  |
| 5               | = 5/16 | 8       | = 8  |
| 6               | = 3/8  | 10      | = 10 |
| 8               | = 1/2  | 12      | = 12 |
| 10              | = 5/8  | 14      | = 14 |
| 12              | = 3/4  | 16      | = 16 |
|                 |        | 18      | = 18 |

| 6. 流动路径 flow path |             |
|-------------------|-------------|
| 直通 Straight type  | = L、H       |
| 三通 3-way          | = L、H、HL    |
| 四通 4-way          | = L、H、HL、HH |
| 五通 5-way          | = L、H、HL    |

### 说明Note:

- 1、NPT螺纹尺寸与英制配管尺寸相同。  
OD tube size of NPT threads is the same as that of British threads.
- 2、配管尺寸为标准尺寸，如需特殊材料、非标螺纹及配管的另加说明。  
Tube size is the standard one. Please make a note if the special material or threads are needed.
- 3、流动路径如有需要添加代号。  
If there is a flow path ,please add a suitable code.

## 订货号样例 Code Example for ordering

代表具有以下特点的QZT系列阀门  
represents QZT valve with the following features

| SS-QZT1-SK-6-H   |
|--|
| <input type="checkbox"/> 316不锈钢材料 316 SS material                  |
| <input type="checkbox"/> 整体式系列 One-piece type                      |
| <input type="checkbox"/> 直通阀门 Straight type valve                  |
| <input type="checkbox"/> 双卡套端接 End connection with double ferrules |
| <input type="checkbox"/> 尺寸3/8in Size                              |
| <input type="checkbox"/> H型流动路径 H-type flow path                   |

| B-QZT5-LWF-4-HL                                   |
|---|
| <input type="checkbox"/> 黄铜材料 Brass               |
| <input type="checkbox"/> 整体式系列 One-piece type     |
| <input type="checkbox"/> 5通阀门 5-way               |
| <input type="checkbox"/> 内螺纹端接 Female connecting  |
| <input type="checkbox"/> NPT1/4in螺纹 thread        |
| <input type="checkbox"/> HL型流动路径 H-type flow path |

## XYF —QZT One-piece Instrument Ball Valve

### ● 路径示意扩展 Path Demonstration Expansion

#### 两端口路径 Two-port Path

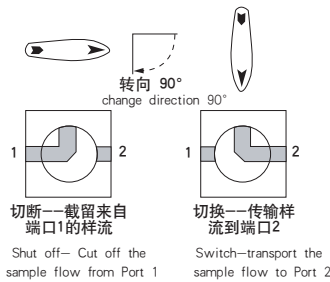
L型流动路径

L-type Flow Path



角型端口可以将样流从端口1转到端口2

Angle-type port can switch the sample flow from Port 1 to Port 2.



#### 三端口路径 3-port path

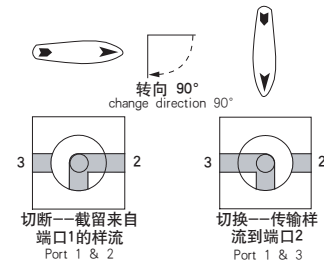
L型流动路径

L-type flow path



手柄旋转90°时，角型端口允许从端口1切换至端口2，或从端口1切换到端口3。没有“断开”位置。

The angle-type port can be switched from Port 1 to Port 2 or from Port 1 to Port 3 after the hand wheel is rotated 90°. "Shut-off" is not permitted.

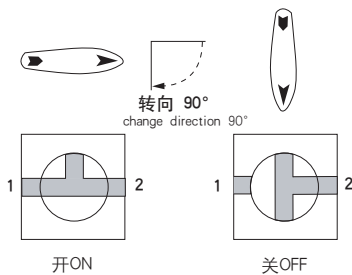


#### HL型流动路径

HL-type flow path

当不得在阀杆腔中截留有流体时，三通端口可供管线内的开关服务使用。当阀门在断开位置时，系统流体可通过端口2排出。

When no flow liquid is permitted to be left inside the valve pocket, 3-way port can be used as the switch inside the piping. The system liquid can be drained out from Port 2 when the valve is cut off.

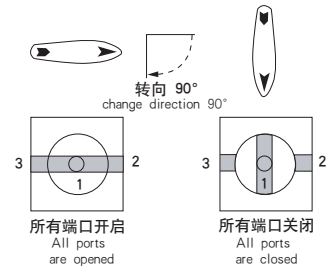


#### H型流动路径

H-type flow path

带有底部端口（端口1）支柱的三通端口可以使端口1、2和3同时开启或关闭。

3-way port with bottom port (port 1) supporter can open or close Port 1, 2 & 3 at the same time.

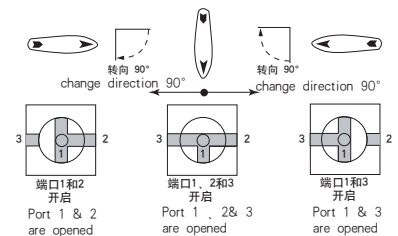


#### HL型流动路径

HL-type flow path

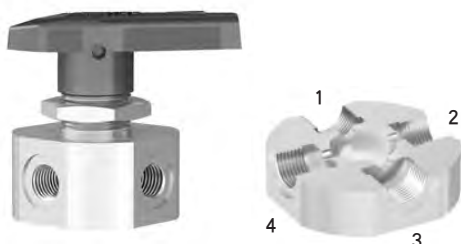
有到底部端口（端口1）支柱的三通端口可以选择端口1和2、1和3或是1、2和3。没有“断开”位置。

The angle-type port can be switched from Port 1 to Port 2 or from Port 1 to Port 3 after the hand wheel is rotated 90°. "Shut-off" is not permitted.

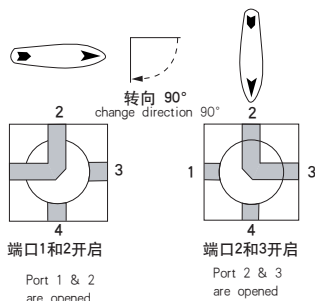


## 四端口路径4-port path

L型流动路径  
L-type flow path

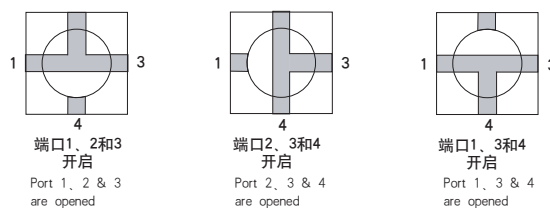
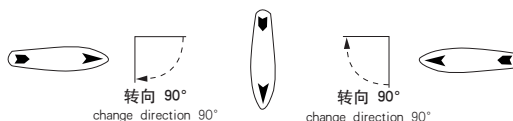


提供有四个端口和  
360° 手柄旋转的  
角型端口；已连接  
两个相邻的端口，  
其它两个端口关闭。



There are altogether 4 ports and an angle-type port by 360° hand wheel rotation. Two adjacent ports have been connected with other two ports closed.

HL型流动路径  
HL-type flow path

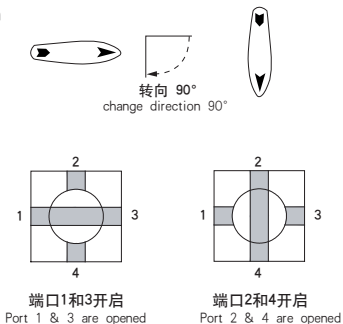


提供有四个端口和360° 手柄旋转的三通型端口；可以同时连接三个相邻的端口，其余的端口关闭。

There are 4 posts and a 3-way port of 360° hand wheel rotation, which can connect 3 adjacent ports at the same time with others closed.

H型流动路径  
H-type flow path

直通型端口可以交  
替地将两个流切换  
为开和关，  
或者将一个样流从  
端口1和3传输到端  
口2和4。

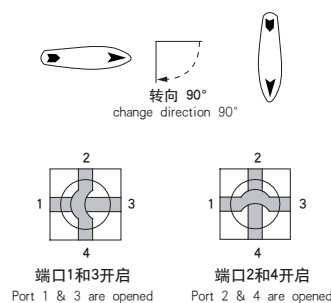


Straight type port can switch two sample flows to be open or close or transport one sample flow from port 1 & 3 to port 2 & 4.

HH型流动路径  
HH-type flow path

交叉转换型端口允许端

口1和3之间的连续流，  
以及端口2和端口4之  
间的连续流。



There would be a continuous flow between port 1 and 3, or between 2 and 4 when the port is of overlap changeover type.



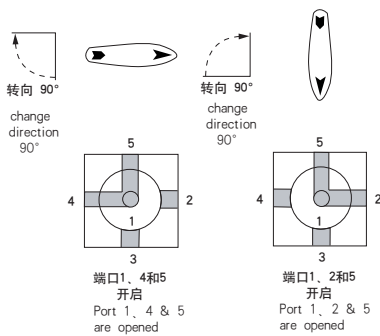
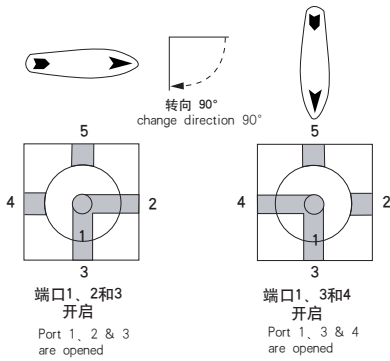
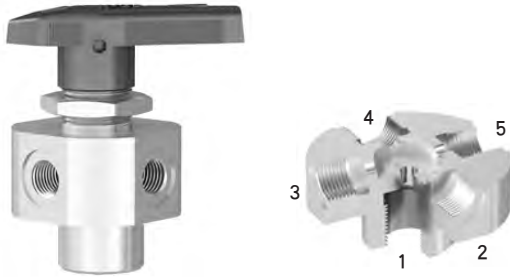
# XYF-QZT系列整体式仪表球阀



## XYF —QZT One-piece Instrument Ball Valve

### 五端口路径5-port path

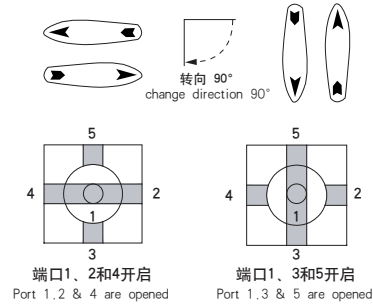
L型流动路径  
L-type flow path



带有到底部端口（端口1）支柱的三通端口允许开启两个相邻的端口，关闭其余两个侧面端口。对于360°手柄旋转，可以90°增量完成切换。

There would be two adjacent ports opened with other two side ports closed on the 3-way port with bottom port (port 1) supporter. As for 360° hand wheel rotation, 90° increasing can finish the switching.

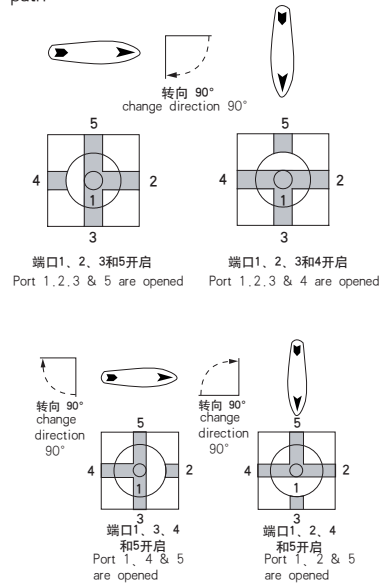
H型流动路径  
H-type flow path



带有到底部端口（端口1）支柱的三通端口允许使用360°手柄旋转选择端口2和4或3和5。

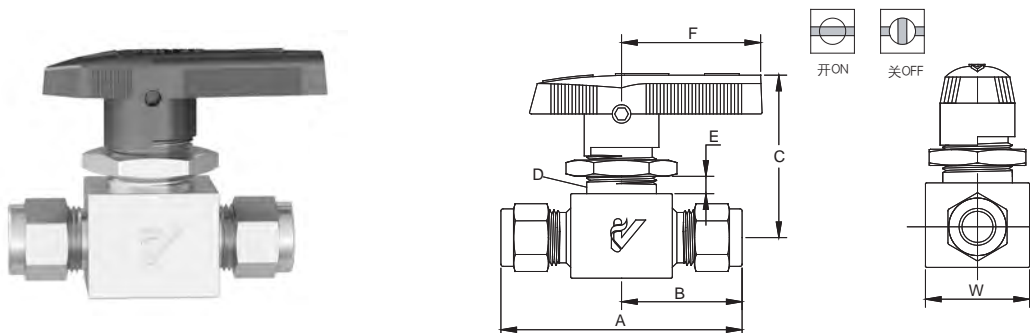
Port 2 & 4 or 3 & 5 can be selected with 360° hand wheel rotation on the 3-way port with bottom port (port 1) supporter.

HL型流动路径  
HL-type flow path



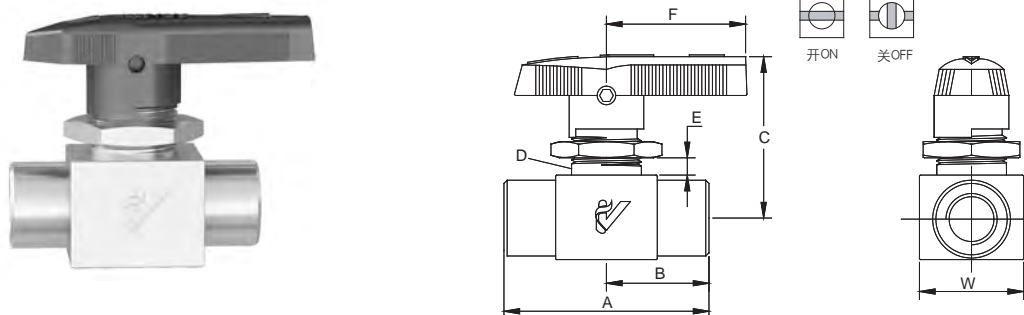
带有到底部端口（端口1）支柱的三通端口允许开启三个侧面端口，而关闭第四个侧面端口。对于360°手柄旋转，可以90°增量完成切换。

Three side ports can be opened with the fourth side port closed on the 3-way port with bottom port (port 1) supporter. As for 360° hand wheel rotation, 90° increasing can finish the switching.



## ● -QZT1-SK型卡套(2通)阀门 Two-way valve with ferrule

| 基本订货号<br>Order information | 端接尺寸End<br>Connection Size |            | 孔径<br>Hole Diameter |            | A          |            | B          |            | C          |            | D          |            | E          |            | W          |            | F          |            | Cv   |
|----------------------------|----------------------------|------------|---------------------|------------|------------|------------|------------|------------|------------|------------|------------|------------|------------|------------|------------|------------|------------|------------|------|
|                            | 英寸<br>(in)                 | 毫米<br>(mm) | 英寸<br>(in)          | 毫米<br>(mm) | 英寸<br>(in) | 毫米<br>(mm) | 英寸<br>(in) | 毫米<br>(mm) | 英寸<br>(in) | 毫米<br>(mm) | 英寸<br>(in) | 毫米<br>(mm) | 英寸<br>(in) | 毫米<br>(mm) | 英寸<br>(in) | 毫米<br>(mm) | 英寸<br>(in) | 毫米<br>(mm) |      |
| -QZT1-SK-2                 | 1/8                        | 3.17       | 0.09                | 2.4        | 2.01       | 51.0       | 1.00       | 25.5       | 1.36       | 34.5       | 0.59       | 15.1       | 1/4        | 6.4        | 0.58       | 14.7       | 1.26       | 32.0       | 0.15 |
| -QZT1-SK-3                 | 3/16                       | 4.76       | 0.13                | 3.2        | 2.20       | 56.0       | 1.10       | 28.0       | 1.36       | 34.5       | 0.59       | 15.1       | 1/4        | 6.4        | 0.58       | 14.7       | 1.26       | 32.0       | 0.35 |
| -QZT1-SK-4                 | 1/4                        | 6.35       | 0.19                | 4.8        | 2.36       | 60.0       | 1.18       | 30.0       | 1.47       | 37.3       | 0.78       | 19.8       | 1/4        | 6.4        | 0.78       | 19.8       | 1.26       | 32.0       | 0.90 |
| -QZT1-SK-6                 | 3/8                        | 9.52       | 0.28                | 7.1        | 2.87       | 73.0       | 1.44       | 36.5       | 2.07       | 52.5       | 1.13       | 28.7       | 3/8        | 9.7        | 1.12       | 28.5       | 1.50       | 38.1       | 2.00 |
| -QZT1-SK-8                 | 1/2                        | 12.7       | 0.41                | 10.3       | 3.48       | 88.5       | 1.74       | 44.2       | 2.44       | 62.0       | 1.50       | 38.1       | 3/8        | 9.7        | 1.50       | 38.1       | 2.36       | 60.0       | 4.60 |
| -QZT1-SK-3mm               | 0.12                       | 3          | 0.09                | 2.4        | 2.01       | 51.0       | 1.00       | 25.5       | 1.36       | 34.5       | 0.59       | 15.1       | 1/4        | 6.4        | 0.58       | 14.7       | 1.26       | 32.0       | 0.15 |
| -QZT1-SK-6mm               | 0.24                       | 6          | 0.19                | 4.8        | 2.36       | 60.0       | 1.18       | 30.0       | 1.47       | 37.3       | 0.59       | 15.1       | 1/4        | 6.4        | 0.78       | 19.8       | 1.26       | 32.0       | 0.90 |
| -QZT1-SK-8mm               | 0.31                       | 8          | 0.19                | 4.8        | 2.46       | 62.5       | 1.23       | 31.2       | 1.47       | 37.3       | 0.78       | 19.8       | 1/4        | 6.4        | 0.78       | 19.8       | 1.50       | 38.1       | 0.90 |
| -QZT1-SK-10mm              | 0.39                       | 10         | 0.28                | 7.1        | 2.87       | 73.0       | 1.44       | 36.5       | 2.07       | 52.5       | 1.13       | 28.7       | 3/8        | 9.7        | 1.12       | 28.5       | 1.69       | 43.0       | 2.00 |
| -QZT1-SK-12mm              | 0.47                       | 12         | 0.41                | 10.3       | 3.48       | 88.5       | 1.74       | 44.2       | 2.44       | 62.0       | 1.50       | 38.1       | 3/8        | 9.7        | 1.50       | 38.1       | 2.36       | 60.0       | 4.60 |



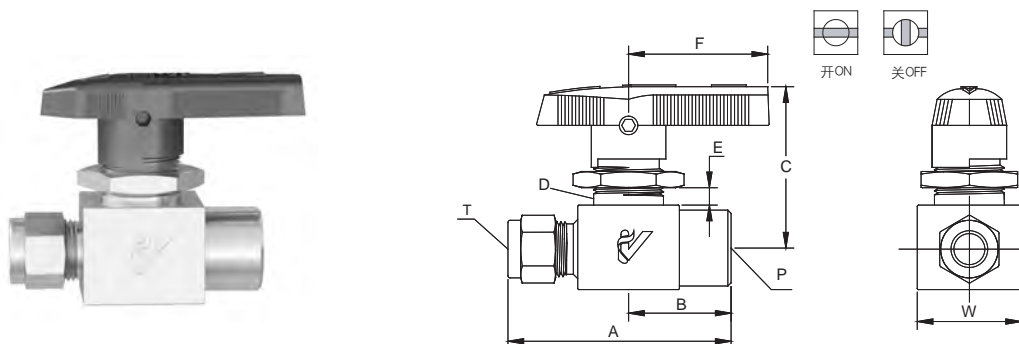
## ● -QZT1-LWF型内螺纹(2通)阀门 Two-way female valve

| 基本订货号<br>Order information | 端接尺寸End<br>Connection Size |            | 孔径<br>Hole Diameter |            | A          |            | B          |            | C          |            | D          |            | E          |            | W          |            | F          |            | Cv   |
|----------------------------|----------------------------|------------|---------------------|------------|------------|------------|------------|------------|------------|------------|------------|------------|------------|------------|------------|------------|------------|------------|------|
|                            | 英寸<br>(in)                 | 毫米<br>(mm) | 英寸<br>(in)          | 毫米<br>(mm) | 英寸<br>(in) | 毫米<br>(mm) | 英寸<br>(in) | 毫米<br>(mm) | 英寸<br>(in) | 毫米<br>(mm) | 英寸<br>(in) | 毫米<br>(mm) | 英寸<br>(in) | 毫米<br>(mm) | 英寸<br>(in) | 毫米<br>(mm) | 英寸<br>(in) | 毫米<br>(mm) |      |
| -QZT1-LWF-2                | NPT1/8                     |            | 0.12                | 3.2        | 1.60       | 41         | 0.80       | 20.5       | 1.36       | 34.5       | 0.59       | 15.1       | 1/4        | 6.4        | 1.26       | 32         | 0.58       | 14.7       | 0.50 |
| -QZT1-LWF-4                | NPT1/4                     |            | 0.19                | 4.8        | 2.00       | 52         | 1.02       | 26.0       | 1.47       | 37.3       | 0.59       | 15.1       | 1/4        | 6.4        | 1.26       | 32         | 0.78       | 19.8       | 0.90 |
| -QZT1-LWF-6                | NPT3/8                     |            | 0.28                | 7.1        | 2.50       | 63         | 1.24       | 31.5       | 2.07       | 52.5       | 1.13       | 28.7       | 3/8        | 9.7        | 1.70       | 43         | 1.12       | 28.5       | 2.60 |
| -QZT1-LWF-8                | NPT1/2                     |            | 0.40                | 10.3       | 3.10       | 79         | 1.56       | 39.5       | 2.44       | 62.0       | 1.50       | 38.1       | 3/8        | 9.7        | 2.36       | 60         | 1.50       | 38.1       | 6.30 |
| -QZT1-LWF-12               | NPT3/4                     |            | 0.60                | 16.5       | 3.10       | 79         | 1.56       | 39.5       | 2.60       | 66.0       | 1.50       | 38.1       | 3/8        | 9.7        | 2.36       | 60         | 1.50       | 38.1       | 12.0 |

# XYF-QZT系列整体式仪表球阀

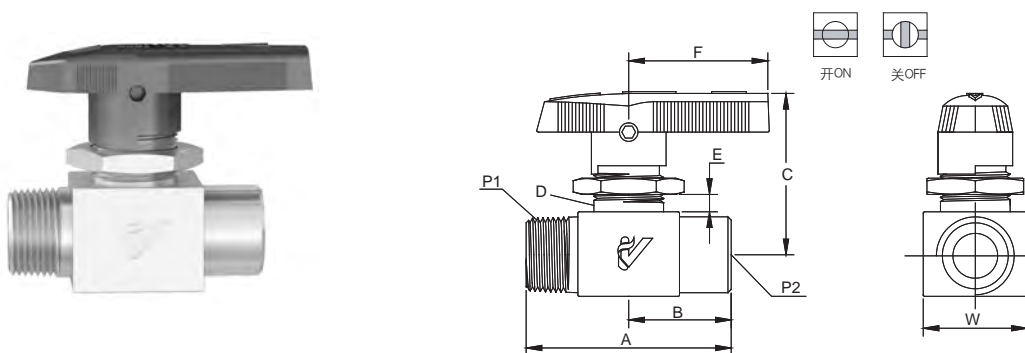


## XYF —QZT One-piece Instrument Ball Valve



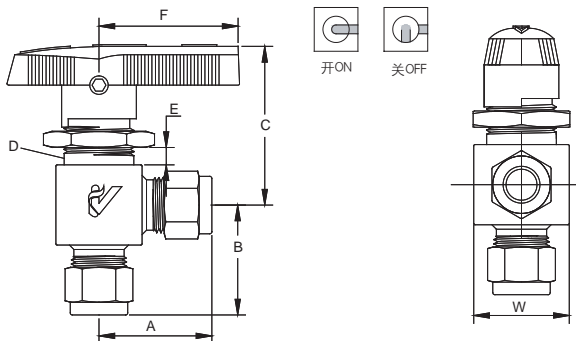
### ● -QZT1-SKF型卡套内螺纹(2通)阀门 Two-way female valve with ferrule

| 基本订货号<br>Order information | 端接尺寸End<br>Connection Size |            | P<br>(NPT) | A          |            | B          |            | C          |            | D          |            | E          |            | W          |            | F          |            | Cv   |
|----------------------------|----------------------------|------------|------------|------------|------------|------------|------------|------------|------------|------------|------------|------------|------------|------------|------------|------------|------------|------|
|                            | 英寸<br>(in)                 | 毫米<br>(mm) |            | 英寸<br>(in) | 毫米<br>(mm) | 英寸<br>(in) | 毫米<br>(mm) | 英寸<br>(in) | 毫米<br>(mm) | 英寸<br>(in) | 毫米<br>(mm) | 英寸<br>(in) | 毫米<br>(mm) | 英寸<br>(in) | 毫米<br>(mm) | 英寸<br>(in) | 毫米<br>(mm) |      |
| -QZT1-SKF-2/2              | 1/8                        | 3.17       | 1/8        | 2.00       | 51.0       | 1.01       | 25.5       | 1.36       | 34.5       | 0.59       | 15.1       | 1/4        | 6.4        | 1.26       | 32.0       | 0.58       | 14.7       | 0.15 |
| -QZT1-SKF-3/4              | 3/16                       | 4.76       | 1/4        | 2.21       | 56.0       | 1.10       | 28.0       | 1.36       | 34.5       | 0.59       | 15.1       | 1/4        | 6.4        | 1.26       | 32.0       | 0.58       | 14.7       | 0.35 |
| -QZT1-SKF-4/4              | 1/4                        | 6.35       | 1/4        | 2.38       | 60.0       | 1.20       | 30.0       | 1.47       | 37.3       | 0.78       | 19.8       | 1/4        | 6.4        | 1.26       | 32.0       | 0.78       | 19.8       | 0.90 |
| -QZT1-SKF-6/6              | 3/8                        | 9.52       | 3/8        | 2.88       | 73.0       | 1.45       | 36.5       | 2.07       | 52.5       | 1.12       | 28.7       | 3/8        | 9.7        | 1.50       | 38.1       | 1.12       | 28.5       | 2.00 |
| -QZT1-SKF-8/8              | 1/2                        | 12.7       | 1/2        | 3.48       | 88.5       | 1.74       | 44.2       | 2.44       | 62.0       | 1.50       | 38.1       | 3/8        | 9.7        | 2.36       | 60.0       | 1.50       | 38.1       | 4.60 |
| -QZT1-SKF-3/2              | 0.12                       | 3          | 1/8        | 2.00       | 51.0       | 1.01       | 25.5       | 1.36       | 34.5       | 0.59       | 15.1       | 1/4        | 6.4        | 1.26       | 32.0       | 0.58       | 14.7       | 0.15 |
| -QZT1-SKF-6/4              | 0.24                       | 6          | 1/4        | 2.38       | 60.0       | 1.20       | 30.0       | 1.47       | 37.3       | 0.59       | 15.1       | 1/4        | 6.4        | 1.26       | 32.0       | 0.78       | 19.8       | 0.90 |
| -QZT1-SKF-8/6              | 0.31                       | 8          | 3/8        | 2.46       | 62.5       | 1.23       | 31.2       | 1.47       | 37.3       | 0.78       | 19.8       | 3/8        | 6.4        | 1.50       | 38.1       | 0.78       | 19.8       | 0.90 |
| -QZT1-SKF-10/6             | 0.39                       | 10         | 3/8        | 2.88       | 73.0       | 1.45       | 36.5       | 2.07       | 52.5       | 1.12       | 28.7       | 3/8        | 9.7        | 1.70       | 43.0       | 1.12       | 28.5       | 2.00 |
| -QZT1-SKF-12/8             | 0.47                       | 12         | 1/2        | 3.48       | 88.5       | 1.74       | 44.2       | 2.44       | 62.0       | 1.50       | 38.1       | 3/8        | 9.7        | 2.36       | 60.0       | 1.50       | 38.1       | 4.60 |



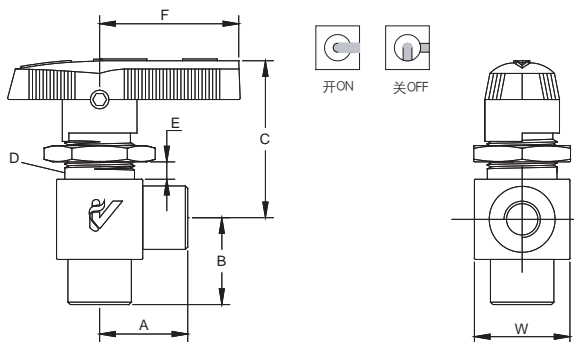
### ● -QZT1-FM型内外螺纹(2通)阀门 Two-way female-male valve

| 基本订货号<br>Order information | P1<br>(NPT) | P2<br>(NPT) | A          |            | B          |            | C          |            | D          |            | E          |            | W          |            | F    |      | Cv   |
|----------------------------|-------------|-------------|------------|------------|------------|------------|------------|------------|------------|------------|------------|------------|------------|------------|------|------|------|
|                            |             |             | 英寸<br>(in) | 毫米<br>(mm) | 英寸<br>(in) | 毫米<br>(mm) | 英寸<br>(in) | 毫米<br>(mm) | 英寸<br>(in) | 毫米<br>(mm) | 英寸<br>(in) | 毫米<br>(mm) | 英寸<br>(in) | 毫米<br>(mm) |      |      |      |
| -QZT1-FM-2                 | 1/8         | 1/8         | 1.60       | 41         | 0.80       | 20.5       | 1.36       | 34.5       | 0.59       | 15.1       | 1/4        | 6.4        | 1.26       | 32         | 0.58 | 14.7 | 0.50 |
| -QZT1-FM-4                 | 1/4         | 1/4         | 2.00       | 52         | 1.02       | 26.0       | 1.47       | 37.3       | 0.59       | 15.1       | 1/4        | 6.4        | 1.26       | 32         | 0.78 | 19.8 | 0.90 |
| -QZT1-FM-6                 | 3/8         | 3/8         | 2.50       | 63         | 1.24       | 31.5       | 2.07       | 52.5       | 1.13       | 28.7       | 3/8        | 9.7        | 1.70       | 43         | 1.12 | 28.5 | 2.60 |
| -QZT1-FM-8                 | 1/2         | 1/2         | 3.10       | 79         | 1.56       | 39.5       | 2.44       | 62.0       | 1.50       | 38.1       | 3/8        | 9.7        | 2.36       | 60         | 1.50 | 38.1 | 6.30 |
| -QZT1-FM-12                | 3/4         | 3/4         | 3.10       | 79         | 1.56       | 39.5       | 2.60       | 66.0       | 1.50       | 38.1       | 3/8        | 9.7        | 2.36       | 60         | 1.50 | 38.1 | 12.0 |



## ● -QZT2-SK型卡套角型阀门 Two-way angle-type valve with ferrule

| 基本订货号<br>Order information | 端接尺寸End<br>Connection Size |            | 孔径<br>Hole Diameter |            | A          |            | B          |            | C          |            | D          |            | E          |            | W          |            | F          |            | Cv   |
|----------------------------|----------------------------|------------|---------------------|------------|------------|------------|------------|------------|------------|------------|------------|------------|------------|------------|------------|------------|------------|------------|------|
|                            | 英寸<br>(in)                 | 毫米<br>(mm) | 英寸<br>(in)          | 毫米<br>(mm) | 英寸<br>(in) | 毫米<br>(mm) | 英寸<br>(in) | 毫米<br>(mm) | 英寸<br>(in) | 毫米<br>(mm) | 英寸<br>(in) | 毫米<br>(mm) | 英寸<br>(in) | 毫米<br>(mm) | 英寸<br>(in) | 毫米<br>(mm) | 英寸<br>(in) | 毫米<br>(mm) |      |
| -QZT2-SK-2                 | 1/8                        | 3.17       | 0.09                | 2.4        | 1.01       | 25.5       | 1.01       | 25.5       | 1.36       | 34.5       | 0.59       | 15.1       | 1/4        | 6.4        | 1.26       | 32.0       | 0.58       | 14.7       | 0.15 |
| -QZT2-SK-3                 | 3/16                       | 4.76       | 0.13                | 3.2        | 1.10       | 28.0       | 1.10       | 28.0       | 1.36       | 34.5       | 0.59       | 15.1       | 1/4        | 6.4        | 1.26       | 32.0       | 0.58       | 14.7       | 0.35 |
| -QZT2-SK-4                 | 1/4                        | 6.35       | 0.19                | 4.8        | 1.20       | 30.0       | 1.20       | 30.0       | 1.47       | 37.3       | 0.78       | 19.8       | 1/4        | 6.4        | 1.26       | 32.0       | 0.78       | 19.8       | 0.90 |
| -QZT2-SK-6                 | 3/8                        | 9.52       | 0.28                | 7.1        | 1.45       | 36.5       | 1.45       | 36.5       | 2.07       | 52.5       | 1.13       | 28.7       | 3/8        | 9.7        | 1.50       | 38.1       | 1.12       | 28.5       | 2.00 |
| -QZT2-SK-8                 | 1/2                        | 12.7       | 0.41                | 10.3       | 1.74       | 44.2       | 1.74       | 44.2       | 2.44       | 62.0       | 1.50       | 38.1       | 3/8        | 9.7        | 2.36       | 60.0       | 1.50       | 38.0       | 4.60 |
| -QZT2-SK-3mm               | 0.12                       | 3          | 0.09                | 2.4        | 1.01       | 25.5       | 1.01       | 25.5       | 1.36       | 34.5       | 0.59       | 15.1       | 1/4        | 6.4        | 1.26       | 32.0       | 0.58       | 14.7       | 0.15 |
| -QZT2-SK-6mm               | 0.24                       | 6          | 0.19                | 4.8        | 1.20       | 30.0       | 1.20       | 30.0       | 1.47       | 37.3       | 0.59       | 15.1       | 1/4        | 6.4        | 1.26       | 32.0       | 0.78       | 19.8       | 0.90 |
| -QZT2-SK-8mm               | 0.31                       | 8          | 0.19                | 4.8        | 1.23       | 31.2       | 1.23       | 31.2       | 1.47       | 37.3       | 0.78       | 19.8       | 1/4        | 9.7        | 1.50       | 38.1       | 0.78       | 19.8       | 0.90 |
| -QZT2-SK-10mm              | 0.39                       | 10         | 0.28                | 7.1        | 1.45       | 36.5       | 1.45       | 36.5       | 2.07       | 52.5       | 1.13       | 28.7       | 3/8        | 9.7        | 1.70       | 43.0       | 1.12       | 28.5       | 2.00 |
| -QZT2-SK-12mm              | 0.47                       | 12         | 0.41                | 10.3       | 1.74       | 44.2       | 1.74       | 44.2       | 2.44       | 62.0       | 1.50       | 38.1       | 3/8        | 9.7        | 2.36       | 60.0       | 1.50       | 38.0       | 4.60 |



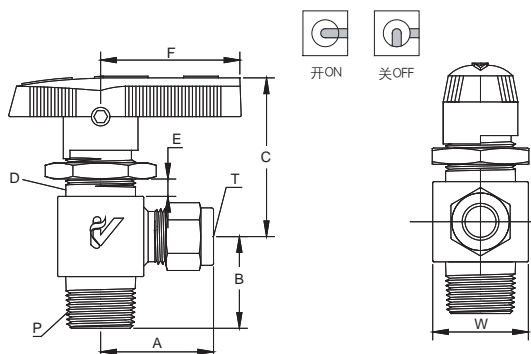
## ● -QZT2-LWF型内螺纹角型阀门 Two-way angle-type female valve

| 基本订货号<br>Order information | 端接尺寸End<br>Connection Size |            | 孔径<br>Hole Diameter |            | A          |            | B          |            | C          |            | D          |            | E          |            | W          |            | F          |            | Cv   |
|----------------------------|----------------------------|------------|---------------------|------------|------------|------------|------------|------------|------------|------------|------------|------------|------------|------------|------------|------------|------------|------------|------|
|                            | 英寸<br>(in)                 | 毫米<br>(mm) | 英寸<br>(in)          | 毫米<br>(mm) | 英寸<br>(in) | 毫米<br>(mm) | 英寸<br>(in) | 毫米<br>(mm) | 英寸<br>(in) | 毫米<br>(mm) | 英寸<br>(in) | 毫米<br>(mm) | 英寸<br>(in) | 毫米<br>(mm) | 英寸<br>(in) | 毫米<br>(mm) | 英寸<br>(in) | 毫米<br>(mm) |      |
| -QZT2-LWF-2                | NPT1/8                     |            | 0.12                | 3.2        | 0.80       | 20.5       | 0.80       | 20.5       | 1.36       | 34.5       | 0.59       | 15.1       | 1/4        | 6.4        | 1.26       | 32         | 0.58       | 14.7       | 0.50 |
| -QZT2-LWF-4                | NPT1/4                     |            | 0.19                | 4.8        | 1.02       | 26.0       | 1.02       | 26.0       | 1.47       | 37.3       | 0.59       | 15.1       | 1/4        | 6.4        | 1.26       | 32         | 0.78       | 19.8       | 0.90 |
| -QZT2-LWF-6                | NPT3/8                     |            | 0.28                | 7.1        | 1.24       | 31.5       | 1.24       | 31.5       | 2.07       | 52.5       | 1.13       | 28.7       | 3/8        | 9.7        | 1.70       | 43         | 1.12       | 28.5       | 2.60 |
| -QZT2-LWF-8                | NPT1/2                     |            | 0.40                | 10.3       | 1.56       | 39.5       | 1.56       | 39.5       | 2.44       | 62.0       | 1.50       | 31.8       | 3/8        | 9.7        | 2.36       | 60         | 1.50       | 38.1       | 6.30 |
| -QZT2-LWF-12               | NPT3/4                     |            | 0.60                | 16.5       | 1.56       | 39.5       | 1.56       | 39.5       | 2.60       | 66.0       | 1.50       | 31.8       | 3/8        | 9.7        | 2.36       | 60         | 1.50       | 38.1       | 12.0 |

# XYF-QZT系列整体式仪表球阀

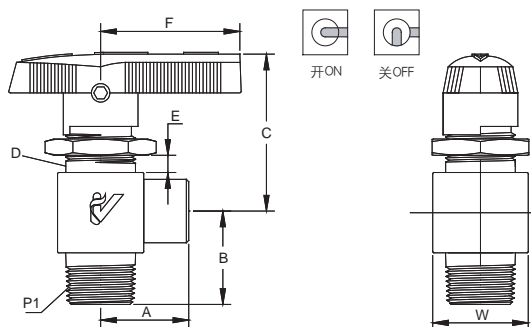


## XYF —QZT One-piece Instrument Ball Valve



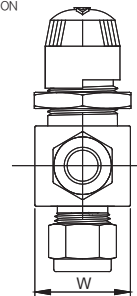
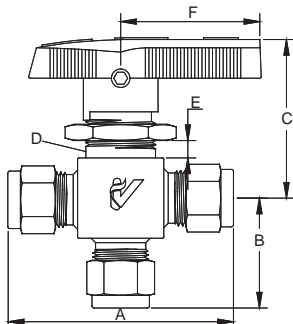
### ● -QZT2-SKM型卡套外螺纹角型阀门 Two-way angle-type male valve with ferrule

| 基本订货号<br>Order information | 端接尺寸End<br>Connection Size |            | P<br>(NPT) | A          |            | B          |            | C          |            | D          |            | E          |            | W          |            | F          |            | Cv   |
|----------------------------|----------------------------|------------|------------|------------|------------|------------|------------|------------|------------|------------|------------|------------|------------|------------|------------|------------|------------|------|
|                            | 英寸<br>(in)                 | 毫米<br>(mm) |            | 英寸<br>(in) | 毫米<br>(mm) | 英寸<br>(in) | 毫米<br>(mm) | 英寸<br>(in) | 毫米<br>(mm) | 英寸<br>(in) | 毫米<br>(mm) | 英寸<br>(in) | 毫米<br>(mm) | 英寸<br>(in) | 毫米<br>(mm) | 英寸<br>(in) | 毫米<br>(mm) |      |
| -QZT2-SKM-2/2              | 1/8                        | 3.17       | 1/8        | 1.00       | 25.5       | 0.81       | 20.5       | 1.36       | 34.5       | 0.59       | 15.1       | 0.25       | 6.4        | 1.26       | 32.0       | 0.58       | 14.7       | 0.15 |
| -QZT2-SKM-3/4              | 3/16                       | 4.76       | 1/4        | 1.18       | 30.0       | 1.02       | 26.0       | 1.47       | 37.3       | 0.78       | 19.8       | 0.25       | 6.4        | 1.26       | 32.0       | 0.78       | 19.8       | 0.35 |
| -QZT2-SKM-4/4              | 1/4                        | 6.35       | 1/4        | 1.18       | 30.0       | 1.02       | 26.0       | 1.47       | 37.3       | 0.78       | 19.8       | 0.25       | 6.4        | 1.26       | 32.0       | 0.78       | 19.8       | 0.90 |
| -QZT2-SKM-6/6              | 3/8                        | 9.52       | 3/8        | 1.44       | 36.5       | 1.24       | 31.5       | 2.07       | 52.5       | 1.13       | 28.7       | 0.38       | 9.7        | 1.50       | 38.1       | 1.12       | 28.5       | 2.00 |
| -QZT2-SKM-8/8              | 1/2                        | 12.7       | 1/2        | 1.74       | 44.2       | 1.56       | 39.5       | 2.44       | 62.0       | 1.50       | 38.1       | 0.38       | 9.7        | 2.36       | 60.0       | 1.50       | 38.1       | 4.6  |
| -QZT2-SKM-3mm/2            | 0.12                       | 3          | 1/8        | 1.00       | 25.5       | 0.81       | 20.5       | 1.36       | 34.5       | 0.59       | 15.1       | 0.25       | 6.4        | 1.26       | 32.0       | 0.58       | 14.7       | 0.15 |
| -QZT2-SKM-6mm/4            | 0.24                       | 6          | 1/4        | 1.18       | 30.0       | 1.02       | 26.0       | 1.47       | 37.3       | 0.78       | 19.8       | 0.25       | 6.4        | 1.26       | 32.0       | 0.78       | 19.8       | 0.90 |
| -QZT2-SKM-8mm/6            | 0.31                       | 8          | 3/8        | 1.44       | 36.5       | 1.24       | 31.5       | 2.07       | 52.5       | 1.13       | 28.7       | 0.38       | 9.7        | 1.50       | 38.1       | 1.12       | 28.5       | 2.00 |
| -QZT2-SKM-10mm/6           | 0.39                       | 10         | 3/8        | 1.44       | 36.5       | 1.24       | 31.5       | 2.07       | 52.5       | 1.13       | 28.7       | 0.38       | 9.7        | 1.50       | 38.1       | 1.12       | 28.5       | 2.00 |
| -QZT2-SKM-12mm/8           | 0.47                       | 12         | 1/2        | 1.74       | 44.2       | 1.56       | 39.5       | 2.44       | 62.0       | 1.50       | 38.1       | 0.38       | 9.7        | 2.36       | 60.0       | 1.50       | 38.1       | 4.60 |



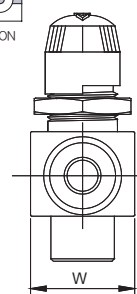
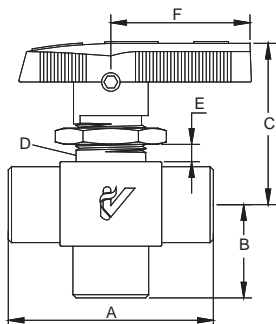
### ● -QZT2-FM型内外螺纹角型阀门 Two-way angle-type female-male valve

| 基本订货号<br>Order information | P1<br>(NPT) | P2<br>(NPT) | A          |            | B          |            | C          |            | D          |            | E          |            | W          |            | F    |      | Cv   |
|----------------------------|-------------|-------------|------------|------------|------------|------------|------------|------------|------------|------------|------------|------------|------------|------------|------|------|------|
|                            |             |             | 英寸<br>(in) | 毫米<br>(mm) | 英寸<br>(in) | 毫米<br>(mm) | 英寸<br>(in) | 毫米<br>(mm) | 英寸<br>(in) | 毫米<br>(mm) | 英寸<br>(in) | 毫米<br>(mm) | 英寸<br>(in) | 毫米<br>(mm) |      |      |      |
| -QZT2-FM-2                 | 1/8         | 1/8         | 0.80       | 20.5       | 0.80       | 20.5       | 1.36       | 34.5       | 0.59       | 15.1       | 1/4        | 6.4        | 1.26       | 32         | 0.58 | 14.7 | 0.50 |
| -QZT2-FM-4                 | 1/4         | 1/4         | 1.02       | 26.0       | 1.02       | 26.0       | 1.47       | 37.3       | 0.59       | 15.1       | 1/4        | 6.4        | 1.26       | 32         | 0.78 | 19.8 | 0.90 |
| -QZT2-FM-6                 | 3/8         | 3/8         | 1.24       | 31.5       | 1.24       | 31.5       | 2.07       | 52.5       | 1.13       | 28.7       | 3/8        | 9.7        | 1.70       | 43         | 1.12 | 28.5 | 2.60 |
| -QZT2-FM-8                 | 1/2         | 1/2         | 1.56       | 39.5       | 1.56       | 39.5       | 2.44       | 62.0       | 1.50       | 31.8       | 3/8        | 9.7        | 2.36       | 60         | 1.50 | 38.1 | 6.30 |
| -QZT2-FM-12                | 3/4         | 3/4         | 1.56       | 39.5       | 1.56       | 39.5       | 2.60       | 66.0       | 1.50       | 31.8       | 3/8        | 9.7        | 2.36       | 60         | 1.50 | 38.1 | 12.0 |



● -QZT3-SK型卡套切换(3通)阀门 Three-way changeover valve with ferrule

| 基本订货号<br>Order information | 端接尺寸End<br>Connection Size |            | 孔径<br>Hole Diameter |            | A          |            | B          |            | C          |            | D          |            | E          |            | W          |            | F          |            | Cv   |
|----------------------------|----------------------------|------------|---------------------|------------|------------|------------|------------|------------|------------|------------|------------|------------|------------|------------|------------|------------|------------|------------|------|
|                            | 英寸<br>(in)                 | 毫米<br>(mm) | 英寸<br>(in)          | 毫米<br>(mm) | 英寸<br>(in) | 毫米<br>(mm) | 英寸<br>(in) | 毫米<br>(mm) | 英寸<br>(in) | 毫米<br>(mm) | 英寸<br>(in) | 毫米<br>(mm) | 英寸<br>(in) | 毫米<br>(mm) | 英寸<br>(in) | 毫米<br>(mm) | 英寸<br>(in) | 毫米<br>(mm) |      |
| -QZT3-SK-2                 | 1/8                        | 3.17       | 0.09                | 2.4        | 2.0        | 51.0       | 1.01       | 25.5       | 1.36       | 34.5       | 0.59       | 15.1       | 1/4        | 6.4        | 1.26       | 32.0       | 0.58       | 14.7       | 0.15 |
| -QZT3-SK-3                 | 3/16                       | 4.76       | 0.13                | 3.2        | 2.21       | 56.0       | 1.10       | 28.0       | 1.36       | 34.5       | 0.59       | 15.1       | 1/4        | 6.4        | 1.26       | 32.0       | 0.58       | 14.7       | 0.35 |
| -QZT3-SK-4                 | 1/4                        | 6.35       | 0.19                | 4.8        | 2.38       | 60.0       | 1.20       | 30.0       | 1.47       | 37.3       | 0.78       | 19.8       | 1/4        | 6.4        | 1.26       | 32.0       | 0.78       | 19.8       | 0.90 |
| -QZT3-SK-6                 | 3/8                        | 9.52       | 0.28                | 7.1        | 2.88       | 73.0       | 1.45       | 36.0       | 2.07       | 52.5       | 1.13       | 28.7       | 3/8        | 9.7        | 1.50       | 38.1       | 1.12       | 28.5       | 2.00 |
| -QZT3-SK-8                 | 1/2                        | 12.7       | 0.41                | 10.3       | 3.48       | 88.5       | 1.74       | 44.2       | 2.44       | 62.0       | 1.50       | 38.1       | 3/8        | 9.7        | 2.36       | 60.0       | 1.50       | 38.0       | 4.60 |
| -QZT3-SK-3mm               | 0.12                       | 3          | 0.09                | 2.4        | 2.00       | 51.0       | 1.01       | 25.5       | 1.36       | 34.5       | 0.59       | 15.1       | 1/4        | 6.4        | 1.26       | 32.0       | 0.58       | 14.7       | 0.15 |
| -QZT3-SK-6mm               | 0.24                       | 6          | 0.19                | 4.8        | 2.38       | 60.0       | 1.20       | 30.0       | 1.47       | 37.3       | 0.59       | 15.1       | 3/16       | 4.8        | 1.26       | 32.0       | 0.78       | 19.8       | 0.90 |
| -QZT3-SK-8mm               | 0.31                       | 8          | 0.19                | 4.8        | 2.46       | 62.5       | 1.23       | 31.2       | 1.47       | 37.3       | 0.78       | 19.8       | 3/16       | 4.8        | 1.50       | 38.1       | 0.78       | 19.8       | 0.90 |
| -QZT3-SK-10mm              | 0.39                       | 10         | 0.28                | 7.1        | 2.88       | 73.0       | 1.45       | 36.5       | 2.07       | 52.5       | 1.13       | 28.7       | 3/8        | 9.7        | 1.70       | 43.0       | 1.12       | 28.5       | 2.00 |
| -QZT3-SK-12mm              | 0.47                       | 12         | 0.41                | 10.3       | 3.48       | 88.5       | 1.74       | 44.2       | 2.44       | 62.0       | 1.50       | 38.1       | 3/8        | 9.7        | 2.36       | 60.0       | 1.50       | 38.0       | 4.60 |



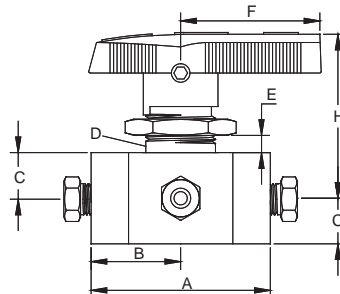
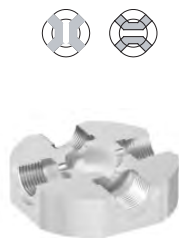
● -QZT3-LWF型内螺纹切换(3通)阀门 Three-way changeover female valve

| 基本订货号<br>Order information | 端接尺寸End<br>Connection Size |            | 孔径<br>Hole Diameter |            | A          |            | B          |            | C          |            | D          |            | E          |            | W          |            | F          |            | Cv   |
|----------------------------|----------------------------|------------|---------------------|------------|------------|------------|------------|------------|------------|------------|------------|------------|------------|------------|------------|------------|------------|------------|------|
|                            | 英寸<br>(in)                 | 毫米<br>(mm) | 英寸<br>(in)          | 毫米<br>(mm) | 英寸<br>(in) | 毫米<br>(mm) | 英寸<br>(in) | 毫米<br>(mm) | 英寸<br>(in) | 毫米<br>(mm) | 英寸<br>(in) | 毫米<br>(mm) | 英寸<br>(in) | 毫米<br>(mm) | 英寸<br>(in) | 毫米<br>(mm) | 英寸<br>(in) | 毫米<br>(mm) |      |
| -QZT3-LWF-2                | NPT1/8                     |            | 0.12                | 3.2        | 0.80       | 20.5       | 0.80       | 20.5       | 1.36       | 34.5       | 0.59       | 15.1       | 1/4        | 6.4        | 1.26       | 32         | 0.58       | 14.7       | 0.50 |
| -QZT3-LWF-4                | NPT1/4                     |            | 0.19                | 4.8        | 1.02       | 26.0       | 1.02       | 26.0       | 1.47       | 37.3       | 0.59       | 15.1       | 1/4        | 6.4        | 1.26       | 32         | 0.78       | 19.8       | 0.90 |
| -QZT3-LWF-6                | NPT3/8                     |            | 0.28                | 7.1        | 1.24       | 31.5       | 1.24       | 31.5       | 2.07       | 52.5       | 1.13       | 28.7       | 3/8        | 9.7        | 1.70       | 43         | 1.12       | 28.5       | 2.60 |
| -QZT3-LWF-8                | NPT1/2                     |            | 0.40                | 10.3       | 1.56       | 39.5       | 1.56       | 39.5       | 2.44       | 62.0       | 1.50       | 31.8       | 3/8        | 9.7        | 2.36       | 60         | 1.50       | 38.1       | 6.30 |
| -QZT3-LWF-12               | NPT3/4                     |            | 0.60                | 16.5       | 1.56       | 39.5       | 1.56       | 39.5       | 2.60       | 66.0       | 1.50       | 31.8       | 3/8        | 9.7        | 2.36       | 60         | 1.50       | 38.1       | 12.0 |

# XYF-QZT系列整体式仪表球阀

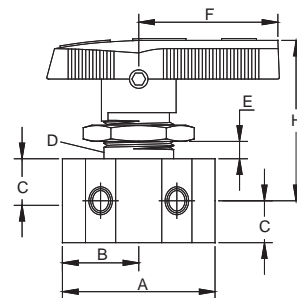


## XYF —QZT One-piece Instrument Ball Valve



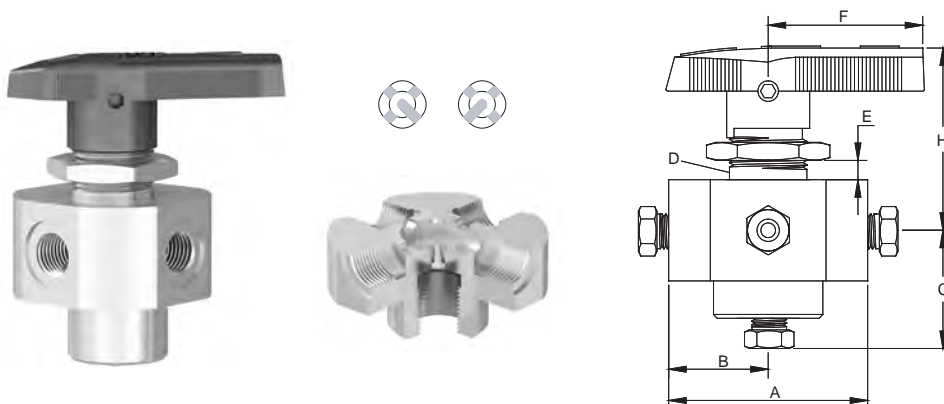
### ● -QZT4-SK型交叉转换(4通)阀门 Four-way overlap changeover valve

| 基本订货号<br>Order information | 端接尺寸End<br>Connection Size |            | 孔径<br>Hole Diameter |            | A          |            | B          |            | C          |            | D          |            | E          |            | W          |            | F          |            | Cv   |
|----------------------------|----------------------------|------------|---------------------|------------|------------|------------|------------|------------|------------|------------|------------|------------|------------|------------|------------|------------|------------|------------|------|
|                            | 英寸<br>(in)                 | 毫米<br>(mm) | 英寸<br>(in)          | 毫米<br>(mm) | 英寸<br>(in) | 毫米<br>(mm) | 英寸<br>(in) | 毫米<br>(mm) | 英寸<br>(in) | 毫米<br>(mm) | 英寸<br>(in) | 毫米<br>(mm) | 英寸<br>(in) | 毫米<br>(mm) | 英寸<br>(in) | 毫米<br>(mm) | 英寸<br>(in) | 毫米<br>(mm) |      |
| -QZT4-SK-2                 | 1/8                        | 3.17       | 0.06                | 1.57       | 1.95       | 49.5       | 0.98       | 24.8       | 0.46       | 11.6       | 0.75       | 19.2       | 1/4        | 6.4        | 1.50       | 38.0       | 1.70       | 43.0       | 0.08 |
| -QZT4-SK-4                 | 1/4                        | 6.35       | 0.13                | 3.2        | 2.65       | 68.0       | 1.34       | 34.0       | 0.55       | 14.0       | 1.26       | 32.0       | 3/8        | 9.7        | 2.36       | 60.0       | 2.43       | 62.0       | 0.35 |
| -QZT4-SK-2mm               | 0.08                       | 2          | 0.06                | 1.57       | 1.95       | 49.5       | 0.98       | 24.8       | 0.46       | 11.6       | 0.75       | 19.2       | 1/4        | 6.4        | 1.50       | 38.0       | 1.70       | 43.0       | 0.08 |
| -QZT4-SK-3mm               | 0.12                       | 3          | 0.06                | 1.57       | 1.95       | 49.5       | 0.98       | 24.8       | 0.46       | 11.6       | 0.75       | 19.2       | 1/4        | 6.4        | 1.50       | 38.0       | 1.70       | 43.0       | 0.08 |
| -QZT4-SK-4mm               | 0.16                       | 4          | 0.09                | 2.4        | 2.20       | 56.0       | 1.10       | 28.0       | 0.50       | 12.7       | 1.10       | 28.0       | 3/8        | 9.7        | 1.70       | 43.0       | 2.00       | 51.0       | 0.15 |
| -QZT4-SK-6mm               | 0.24                       | 6          | 0.13                | 3.2        | 2.65       | 68.0       | 1.34       | 34.0       | 0.55       | 14.0       | 1.26       | 32.0       | 3/8        | 9.7        | 2.36       | 60.0       | 2.43       | 62.0       | 0.35 |
| -QZT4-LWF-2                | NPT1/8                     |            | 0.09                | 2.4        | 1.55       | 39.4       | 0.78       | 19.8       | 0.46       | 11.6       | 0.87       | 22.5       | 1/4        | 6.4        | 1.50       | 38.0       | 1.70       | 43.0       | 0.15 |
| -QZT4-LWF-4                | NPT1/4                     |            | 0.13                | 3.2        | 2.20       | 56.0       | 1.10       | 28.0       | 0.55       | 14.0       | 1.10       | 28.0       | 3/8        | 9.7        | 1.70       | 43.0       | 2.00       | 51.0       | 0.35 |
| -QZT4-LWF-6                | NPT3/8                     |            | 0.19                | 4.8        | 2.65       | 68.0       | 1.34       | 34.0       | 0.60       | 15.2       | 1.26       | 32.0       | 3/8        | 9.7        | 2.36       | 60.0       | 2.43       | 62.0       | 0.90 |
| -QZT4-LWF-8                | NPT1/2                     |            | 0.28                | 7.1        | 3.13       | 79.5       | 1.55       | 39.3       | 0.69       | 17.5       | 1.50       | 38.1       | 3/8        | 9.7        | 2.36       | 60.0       | 2.43       | 62.0       | 2.00 |



### ● -QZT6-SK型交叉转换(6通)阀门 Six-way overlap changeover valve

| 基本订货号<br>Order information | 端接尺寸End<br>Connection Size |            | 孔径<br>Hole Diameter |            | A          |            | B          |            | C          |            | D          |            | E          |            | W          |            | F          |            | Cv   |
|----------------------------|----------------------------|------------|---------------------|------------|------------|------------|------------|------------|------------|------------|------------|------------|------------|------------|------------|------------|------------|------------|------|
|                            | 英寸<br>(in)                 | 毫米<br>(mm) | 英寸<br>(in)          | 毫米<br>(mm) | 英寸<br>(in) | 毫米<br>(mm) | 英寸<br>(in) | 毫米<br>(mm) | 英寸<br>(in) | 毫米<br>(mm) | 英寸<br>(in) | 毫米<br>(mm) | 英寸<br>(in) | 毫米<br>(mm) | 英寸<br>(in) | 毫米<br>(mm) | 英寸<br>(in) | 毫米<br>(mm) |      |
| -QZT6-SK-2                 | 1/8                        | 3.17       | 0.06                | 1.57       | 1.95       | 49.5       | 0.98       | 24.8       | 0.46       | 11.6       | 0.75       | 19.2       | 1/4        | 6.4        | 1.50       | 38.0       | 1.70       | 43.0       | 0.08 |
| -QZT6-SK-4                 | 1/4                        | 6.35       | 0.13                | 3.2        | 2.65       | 68.0       | 1.34       | 34.0       | 0.55       | 14.0       | 1.26       | 32.0       | 3/8        | 9.7        | 2.36       | 60.0       | 2.43       | 62.0       | 0.35 |
| -QZT6-SK-2mm               | 0.08                       | 2          | 0.06                | 1.57       | 1.95       | 49.5       | 0.98       | 24.8       | 0.46       | 11.6       | 0.75       | 19.2       | 1/4        | 6.4        | 1.50       | 38.0       | 1.70       | 43.0       | 0.08 |
| -QZT6-SK-3mm               | 0.12                       | 3          | 0.06                | 1.57       | 1.95       | 49.5       | 0.98       | 24.8       | 0.46       | 11.6       | 0.75       | 19.2       | 1/4        | 6.4        | 1.50       | 38.0       | 1.70       | 43.0       | 0.08 |
| -QZT6-SK-4mm               | 0.16                       | 4          | 0.09                | 2.4        | 2.20       | 56.0       | 1.10       | 28.0       | 0.50       | 12.7       | 1.10       | 28.0       | 3/8        | 9.7        | 1.70       | 43.0       | 2.00       | 51.0       | 0.15 |
| -QZT6-SK-6mm               | 0.24                       | 6          | 0.13                | 3.2        | 2.65       | 68.0       | 1.34       | 34.0       | 0.55       | 14.0       | 1.26       | 32.0       | 3/8        | 9.7        | 2.36       | 60.0       | 2.43       | 62.0       | 0.35 |
| -QZT6-LWF-2                | NPT1/8                     |            | 0.09                | 2.4        | 1.55       | 39.4       | 0.78       | 19.8       | 0.46       | 11.6       | 0.88       | 22.5       | 1/4        | 6.4        | 1.50       | 38.0       | 1.70       | 43.0       | 0.15 |
| -QZT6-LWF-4                | NPT1/4                     |            | 0.13                | 3.2        | 2.20       | 56.0       | 1.10       | 28.0       | 0.55       | 14.0       | 1.10       | 28.0       | 3/8        | 9.7        | 1.70       | 43.0       | 2.00       | 51.0       | 0.35 |
| -QZT6-LWF-6                | NPT3/8                     |            | 0.19                | 4.8        | 2.65       | 68.0       | 1.34       | 34.0       | 0.60       | 15.2       | 1.26       | 32.0       | 3/8        | 9.7        | 2.36       | 60.0       | 2.43       | 62.0       | 0.90 |
| -QZT6-LWF-8                | NPT1/2                     |            | 0.28                | 7.1        | 3.13       | 79.5       | 1.55       | 39.3       | 0.69       | 17.5       | 1.50       | 38.1       | 3/8        | 9.7        | 2.36       | 60.0       | 2.43       | 62.0       | 2.00 |



● -QZT5-SK型切换(5通)阀门 Five-way changeover valve

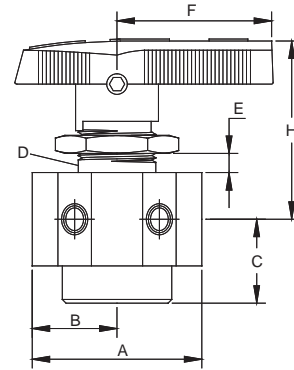
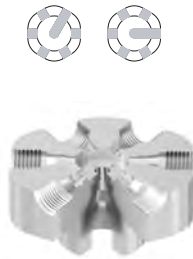
| 基本订货号<br>Order information | 端接尺寸End<br>Connection Size |            | 孔径<br>Hole Diameter |            | A          |            | B          |            | C          |            | D          |            | E          |            | W          |            | F          |            | Cv   |
|----------------------------|----------------------------|------------|---------------------|------------|------------|------------|------------|------------|------------|------------|------------|------------|------------|------------|------------|------------|------------|------------|------|
|                            | 英寸<br>(in)                 | 毫米<br>(mm) | 英寸<br>(in)          | 毫米<br>(mm) | 英寸<br>(in) | 毫米<br>(mm) | 英寸<br>(in) | 毫米<br>(mm) | 英寸<br>(in) | 毫米<br>(mm) | 英寸<br>(in) | 毫米<br>(mm) | 英寸<br>(in) | 毫米<br>(mm) | 英寸<br>(in) | 毫米<br>(mm) | 英寸<br>(in) | 毫米<br>(mm) |      |
| -QZT5-SK-2                 | 1/8                        | 3.17       | 0.06                | 1.57       | 1.95       | 49.5       | 0.98       | 24.8       | 0.88       | 22.4       | 0.75       | 19.2       | 1/4        | 6.4        | 1.50       | 38.0       | 1.70       | 43.0       | 0.08 |
| -QZT5-SK-4                 | 1/4                        | 6.35       | 0.13                | 3.2        | 2.65       | 68.0       | 1.34       | 34.0       | 1.10       | 28.0       | 1.26       | 32.0       | 3/8        | 9.7        | 2.36       | 60.0       | 2.43       | 62.0       | 0.35 |
| -QZT5-SK-2mm               | 0.08                       | 2          | 0.06                | 1.57       | 1.95       | 49.5       | 0.98       | 24.8       | 0.88       | 22.4       | 0.75       | 19.2       | 1/4        | 6.4        | 1.50       | 38.0       | 1.70       | 43.0       | 0.08 |
| -QZT5-SK-3mm               | 0.12                       | 3          | 0.06                | 1.57       | 1.95       | 49.5       | 0.98       | 24.8       | 0.88       | 22.4       | 0.75       | 19.2       | 1/4        | 6.4        | 1.50       | 38.0       | 1.70       | 43.0       | 0.08 |
| -QZT5-SK-4mm               | 0.16                       | 4          | 0.09                | 2.4        | 2.20       | 56.0       | 1.10       | 28.0       | 1.10       | 28.0       | 1.10       | 28.0       | 3/8        | 9.7        | 1.70       | 43.0       | 2.00       | 51.0       | 0.15 |
| -QZT5-SK-6mm               | 0.24                       | 6          | 0.13                | 3.2        | 2.65       | 68.0       | 1.34       | 34.0       | 1.10       | 28.0       | 1.26       | 32.0       | 3/8        | 9.7        | 2.36       | 60.0       | 2.43       | 62.0       | 0.35 |
| -QZT5-LWF-2                | NPT1/8                     |            | 0.09                | 2.4        | 1.55       | 39.4       | 0.78       | 19.8       | 0.88       | 22.4       | 0.87       | 22.5       | 1/4        | 6.4        | 1.50       | 38.0       | 1.70       | 43.0       | 0.15 |
| -QZT5-LWF-4                | NPT1/4                     |            | 0.13                | 3.2        | 2.20       | 56.0       | 1.10       | 28.0       | 1.10       | 28.0       | 1.10       | 28.0       | 3/8        | 9.7        | 1.70       | 43.0       | 2.00       | 51.0       | 0.35 |
| -QZT5-LWF-6                | NPT3/8                     |            | 0.19                | 4.8        | 2.65       | 68.0       | 1.34       | 34.0       | 1.34       | 34.0       | 1.26       | 32.0       | 3/8        | 9.7        | 2.36       | 60.0       | 2.43       | 62.0       | 0.90 |
| -QZT5-LWF-8                | NPT1/2                     |            | 0.28                | 7.1        | 3.13       | 79.5       | 1.55       | 39.3       | 1.56       | 39.6       | 1.50       | 38.1       | 3/8        | 9.7        | 2.36       | 60.0       | 2.43       | 62.0       | 2.00 |



# XYF-QZT系列整体式仪表球阀



## XYF —QZT One-piece Instrument Ball Valve



### ● -QZT7-SK型切换(7通)阀门 Seven-way changeover valve

| 基本订货号<br>Order information | 端接尺寸End<br>Connection Size |            | 孔径<br>Hole Diameter |            | A          |            | B          |            | C          |            | D          |            | E          |            | W          |            | F          |            | Cv   |
|----------------------------|----------------------------|------------|---------------------|------------|------------|------------|------------|------------|------------|------------|------------|------------|------------|------------|------------|------------|------------|------------|------|
|                            | 英寸<br>(in)                 | 毫米<br>(mm) | 英寸<br>(in)          | 毫米<br>(mm) | 英寸<br>(in) | 毫米<br>(mm) | 英寸<br>(in) | 毫米<br>(mm) | 英寸<br>(in) | 毫米<br>(mm) | 英寸<br>(in) | 毫米<br>(mm) | 英寸<br>(in) | 毫米<br>(mm) | 英寸<br>(in) | 毫米<br>(mm) | 英寸<br>(in) | 毫米<br>(mm) |      |
| -QZT7-SK-2                 | 1/8                        | 3.17       | 0.06                | 1.57       | 1.95       | 49.5       | 0.98       | 24.8       | 0.88       | 22.4       | 0.75       | 19.2       | 1/4        | 6.4        | 1.50       | 38.0       | 1.70       | 43.0       | 0.08 |
| -QZT7-SK-4                 | 1/4                        | 6.35       | 0.13                | 3.2        | 2.65       | 68.0       | 1.34       | 34.0       | 1.10       | 28.0       | 1.26       | 32.0       | 3/8        | 9.7        | 2.36       | 60.0       | 2.43       | 62.0       | 0.35 |
| -QZT7-SK-2mm               | 0.08                       | 2          | 0.06                | 1.57       | 1.95       | 49.5       | 0.98       | 24.8       | 0.88       | 22.4       | 0.75       | 19.2       | 1/4        | 6.4        | 1.50       | 38.0       | 1.70       | 43.0       | 0.08 |
| -QZT7-SK-3mm               | 0.12                       | 3          | 0.06                | 1.57       | 1.95       | 49.5       | 0.98       | 24.8       | 0.88       | 22.4       | 0.75       | 19.2       | 1/4        | 6.4        | 1.50       | 38.0       | 1.70       | 43.0       | 0.08 |
| -QZT7-SK-4mm               | 0.16                       | 4          | 0.09                | 2.4        | 2.20       | 56.0       | 1.10       | 28.0       | 1.10       | 28.0       | 1.10       | 28.0       | 3/8        | 9.7        | 1.70       | 43.0       | 2.00       | 51.0       | 0.15 |
| -QZT7-SK-6mm               | 0.24                       | 6          | 0.13                | 3.2        | 2.65       | 68.0       | 1.34       | 34.0       | 1.10       | 28.0       | 1.26       | 32.0       | 3/8        | 9.7        | 2.36       | 60.0       | 2.43       | 62.0       | 0.35 |
| -QZT7-LWF-2                | NPT1/8                     |            | 0.09                | 2.4        | 1.55       | 39.4       | 0.78       | 19.8       | 0.88       | 22.4       | 0.88       | 22.5       | 1/4        | 6.4        | 1.50       | 38.0       | 1.70       | 43.0       | 0.15 |
| -QZT7-LWF-4                | NPT1/4                     |            | 0.13                | 3.2        | 2.20       | 56.0       | 1.10       | 28.0       | 1.10       | 28.0       | 1.10       | 28.0       | 3/8        | 9.7        | 1.70       | 43.0       | 2.00       | 51.0       | 0.35 |
| -QZT7-LWF-6                | NPT3/8                     |            | 0.19                | 4.8        | 2.65       | 68.0       | 1.34       | 34.0       | 1.34       | 34.0       | 1.26       | 32.0       | 3/8        | 9.7        | 2.36       | 60.0       | 2.43       | 62.0       | 0.90 |
| -QZT7-LWF-8                | NPT1/2                     |            | 0.28                | 7.1        | 3.13       | 79.5       | 1.55       | 39.3       | 1.56       | 39.6       | 1.50       | 38.1       | 3/8        | 9.7        | 2.36       | 60.0       | 2.43       | 62.0       | 2.00 |

## ● 排放口和手柄选购

### 排放口阀门

排放口阀门压力额定值为500psi ( 34.4bar )

### 2通、直通型阀门

阀门关闭时，下游端口可通过阀体侧面的排放孔向大气排放。

### 2通、角型和3通阀门

阀门关闭时，底部端口可通过在阀体侧的排放孔向大气排放。

### 焊接端口连接

阀门体侧面焊接卡套接头或内螺纹接头，将所排放介质引至指定地点集中排放，订购时须另加说明。

## ● Drainage port & hand wheel selection

### Valves with drainage port

The rated pressure for valves with drainage port should be 500psi (34.4bar).

### 2-way & straight type valve

The down stream port can be drained from the drainage holes on the sides of valve body when the valve is shut off.

### 2-way, angle-type and 3-way valve

The bottom port can be drained from the drainage holes on the sides of valve body when the valve is shut off.

### Welded-port connection

The drainage medium should be collected to a definite position for drainage when the welded connector with ferrule or female connector is connected to the valve body. Please make a special description while ordering.

## ● 订购信息 Order information

| 排放口连接<br>Drainage port connection | 尺寸<br>size | 基本订货号<br>Basic ordering number |
|-----------------------------------|------------|--------------------------------|
| 英制卡套式 British Ferrule             | 1/8in      | QZT8-SK-2                      |
| 英制卡套式British Ferrule              | 1/4in      | QZT8-SK-4                      |
| 英制卡套式British Ferrule              | 3/8in      | QZT8-SK-6                      |
| 公制卡套式Metric Ferrule               | 3mm        | QZT8-SK-3mm                    |
| 公制卡套式Metric Ferrule               | 6mm        | QZT8-SK-6mm                    |
| 公制卡套式Metric Ferrule               | 8mm        | QZT8-SK-8mm                    |
| 公制卡套式Metric Ferrule               | 10mm       | QZT8-SK-10mm                   |
| 内螺纹式 Female                       | 1/8NPT     | QZT8-LWF-2                     |
| 内螺纹式Female                        | 1/4NPT     | QZT8-LWF-4                     |
| 内螺纹式 Female                       | 3/8NPT     | QZT8-LWF-6                     |

带焊接头排放口 Drainage port with welded connector

带卡套管排放口 Drainage port with ferrule tube



## ● 手柄选购 Hand wheel selection

### 尼龙手柄 Nylon hand wheel

黑色手柄为标准手柄

Black hand wheel would be the standard

### 金属手柄 Metal hand wheel

不锈钢条形手柄

SS bar-type hand wheel

铝合金条形手柄

Al-alloy bar hand wheel

本公司备有其它手柄订购时注明手柄代号

There would be some other kinds of hand wheels supplied and please make the detailed code while ordering.

## ● 手柄代号 Codes for hand wheel

| 名称<br>Description   | 代号<br>Code |
|---------------------|------------|
| 蓝色手柄 Blue           | -BL        |
| 绿色手柄 Green          | -GR        |
| 橙色手柄 Orange         | -OG        |
| 红色手柄 Red            | -RD        |
| 黄色手柄 Yellow         | -YW        |
| 不锈钢手Stainless steel | -SH        |
| 铝合金手柄Al-alloy       | -LY        |



# SINYA

港商 扬中新亚自控工程有限公司  
独资 YANGZHONG SINYA AUTO-CONTROL ENGINEERING CO., LTD.

地址：江苏省扬中经济开发区兴隆港北路

Add: Xinglong Port, Yangzhong, Zhenjiang, Jiangsu, China

电话(Tel): 0511-88783806

传真(Fax): 0511-88451691

网址(Http): [www.sklok.com](http://www.sklok.com)

邮箱(E-mail): [sales@sklok.com](mailto:sales@sklok.com)    [info@sklok.com](mailto:info@sklok.com)