



XYG-ZH 系列 软管接头、附件和软管转换接头








XYG-ZH Series Hose Coupling, Accessories & Hose Adapter

SINYA



目 录

CONTENT

-  04 ● -ZH1M型外螺纹软管接头
Male Hose Coupling
-  05 ● -ZH1F型内螺纹软管接头
Female Hose Coupling
-  06 ● -ZH1T型卡套管转换接头
Adapter for sleeve tube
-  06 ● -ZHSK型卡套式软管接头
Hose Coupling with ferrules
-  07 ● -ZHWS型卫生级软管接头
Sanitary Hose Coupling
-  07 ● -ZHAN型软管转换接头
Hose Adapter
-  07 ● -ZHAL型软管接头套管
Sleeve for Hose Coupling

XYG-ZH Series Hose Coupling, Accessories & Hose Adapter

● 特点

扬中新亚XYG-ZH系列软管接头及附件能方便地安装塑料软管或橡胶管，颈部设计能牢固地保持住管内径，可

● Features

XYG-ZH Series hose coupling & accessories supplied by Yangzhong Xinya are applicable for installing plastic flexible hose or rubber hose, which can hold the hose tightly for its net design and also can be used repeatedly.

● 螺纹数据

NPT螺纹符合ASME/ANSI B1.20.1-1993、GB/T12716-2000标准。

BSP螺纹符合BS21-1985、GB/T7306.2-2000、ISO 7/1-

● Thread Data

NPT thread should meet the standards ASME/ANSI B1.20.1-1993、GB/T12716-2000.

BSP thread should meet the standards BS21-1985、GB/T7306.2-2000、ISO 7/1-1994.

Other kinds of threads can be selected if necessary.

● 订货选型

对316不锈钢在基本订货号前添加SS，黄铜添加B，例SS-ZH1M-2-2

● Order information

For materials 316 stainless steel, SS should be added before the basic order information. B should be added for brass material. For example: XX-ZH1M-2-2.

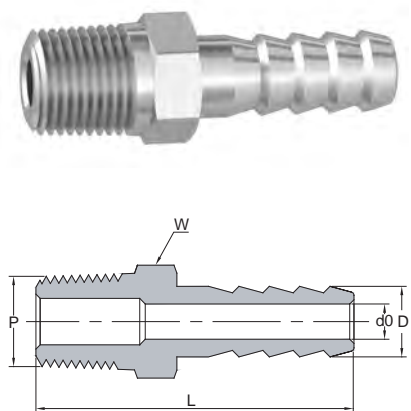
● 附件

本公司亦可提供其它附件，如软管夹，乙烯树脂卡套管，规格根据需要配备。

● Accessories

The company can also supply customers with some kinds of accessories such as: hose clamps, sleeve tube made of ethylene resin with necessary specifications.

● -ZH1M型外螺纹软管接头 Male Hose Coupling



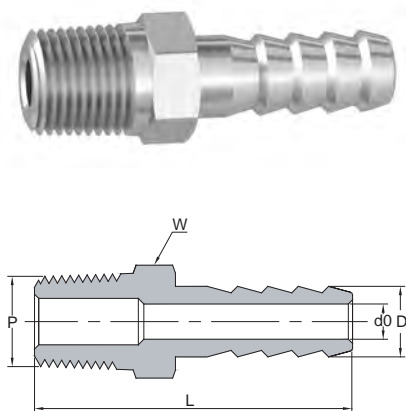
基本订货号 Order information	软管内径 (in) Hose inside diameter	P (NPT)	D		d0		L		W (in)
			英寸 (in)	毫米 (mm)	英寸 (in)	毫米 (mm)	英寸 (in)	毫米 (mm)	
-ZH1M-2-2	1/8	1/8	0.15	3.8	0.08	2.0	1.08	27.4	7/16
-ZH1M-2-4	1/8	1/4	0.15	3.8	0.08	2.0	1.26	32.0	9/16
-ZH1M-3-2	3/16	1/8	0.23	5.8	0.12	3.0	1.27	32.3	7/16
-ZH1M-3-4	3/16	1/4	0.23	5.8	0.12	3.0	1.45	36.8	9/16
-ZH1M-4-2	1/4	1/8	0.30	7.6	0.19	4.8	1.47	37.3	7/16
-ZH1M-4-4	1/4	1/4	0.30	7.6	0.19	4.8	1.65	41.9	9/16
-ZH1M-4-6	1/4	3/8	0.30	7.6	0.19	4.8	1.66	42.2	11/16
-ZH1M-4-8	1/4	1/2	0.30	7.6	0.19	4.8	1.85	47.0	7/8
-ZH1M-5-2	5/16	1/8	0.38	9.7	0.19	4.8	1.55	39.4	7/16
-ZH1M-5-4	5/16	1/4	0.38	9.7	0.19	4.8	1.73	43.9	9/16
-ZH1M-5-6	5/16	3/8	0.38	9.7	0.19	4.8	1.74	44.2	11/16
-ZH1M-5-8	5/16	1/2	0.38	9.7	0.19	4.8	1.96	49.8	7/8
-ZH1M-6-4	3/8	1/4	0.45	11.4	0.3	7.6	1.73	43.9	9/16
-ZH1M-6-6	3/8	3/8	0.45	11.4	0.3	7.6	1.74	44.2	11/16
-ZH1M-6-8	3/8	1/2	0.45	11.4	0.3	7.6	1.96	49.8	7/8
-ZH1M-8-4	1/2	1/4	0.60	15.2	0.38	9.7	1.80	45.7	11/16
-ZH1M-8-6	1/2	3/8	0.60	15.2	0.38	9.7	1.81	46.0	11/16
-ZH1M-8-8	1/2	1/2	0.60	15.2	0.38	9.7	2.03	51.6	7/8
-ZH1M-10-6	5/8	3/8	0.75	19.1	0.5	12.7	1.88	47.8	11/16
-ZH1M-10-8	5/8	1/2	0.75	19.1	0.5	12.7	2.07	52.6	11/16
-ZH1M-10-12	5/8	3/4	0.75	19.1	0.5	12.7	2.07	52.6	11/16
-ZH1M-12-8	3/4	1/2	0.90	22.9	0.63	16.0	2.14	54.4	11/16
-ZH1M-12-12	3/4	3/4	0.90	22.9	0.63	16.0	2.14	54.4	11/16
-ZH1M-12-16	3/4	1	0.90	22.9	0.63	16.0	2.43	61.7	13/8
-ZH1M-16-12	1	3/4	1.20	30.5	0.88	22.4	2.38	60.5	13/8
-ZH1M-16-16	1	1	1.20	30.5	0.88	22.4	2.57	65.3	13/8

XYG-ZH系列软管接头、附件和软管转换接头



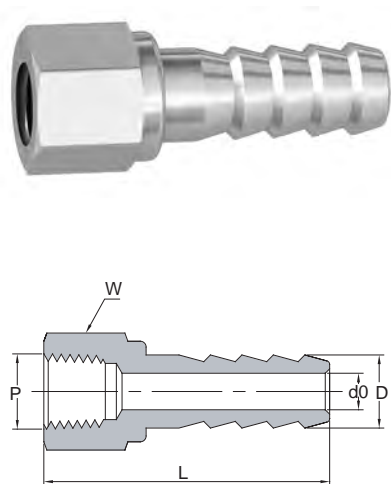
XYG-ZH Series Hose Coupling, Accessories & Hose Adapter

◎ ISO R7/1



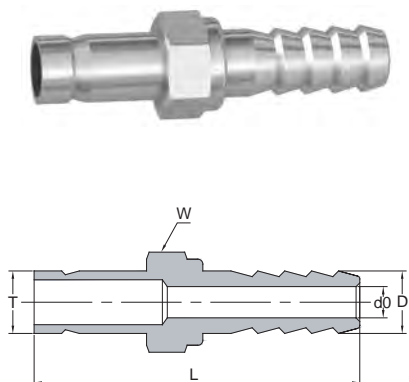
基本订货号 Order information	软管内径 (in) Hose inside diameter	P (NPT)	D		d0		L		W (in)
			英寸 (in)	毫米 (mm)	英寸 (in)	毫米 (mm)	英寸 (in)	毫米 (mm)	
-ZH1M-2-2RT	1/8	1/8	0.15	3.8	0.08	2.0	1.08	27.4	7/16
-ZH1M-4-2RT	1/4	1/8	0.30	7.6	0.19	4.8	1.47	37.3	7/16
-ZH1M-4-4RT	1/4	1/4	0.30	7.6	0.19	4.8	1.65	41.9	9/16
-ZH1M-4-6RT	1/4	3/8	0.30	7.6	0.19	4.8	1.66	42.2	11/16
-ZH1M-6-4RT	3/8	1/4	0.45	11.4	0.30	7.6	1.73	43.9	9/16
-ZH1M-6-6RT	3/8	3/8	0.45	11.4	0.30	7.6	1.74	44.2	11/16
-ZH1M-6-8RT	3/8	1/2	0.45	11.4	0.30	7.6	1.96	49.8	7/8
-ZH1M-8-4RT	1/2	1/4	0.60	15.2	0.38	9.7	1.84	46.7	11/16
-ZH1M-8-6RT	1/2	3/8	0.60	15.2	0.38	9.7	1.88	47.8	11/16
-ZH1M-8-8RT	1/2	1/2	0.60	15.2	0.38	9.7	2.05	52.1	7/8
-ZH1M-10-6RT	5/8	3/8	0.75	19.1	0.50	12.7	2.10	53.3	11/16
-ZH1M-10-8RT	5/8	1/2	0.75	19.1	0.50	12.7	2.16	54.9	11/16
-ZH1M-10-12RT	5/8	3/4	0.75	19.1	0.50	12.7	2.20	55.9	11/16
-ZH1M-12-8RT	3/4	1/2	0.90	22.9	0.63	16.0	2.10	53.3	11/16
-ZH1M-12-12RT	3/4	3/4	0.90	22.9	0.63	16.0	2.18	55.4	11/16
-ZH1M-12-16RT	3/4	1	0.90	22.9	0.63	16.0	2.30	58.4	13/8

◎ -ZH1F型内螺纹软管接头 Female Hose Coupling



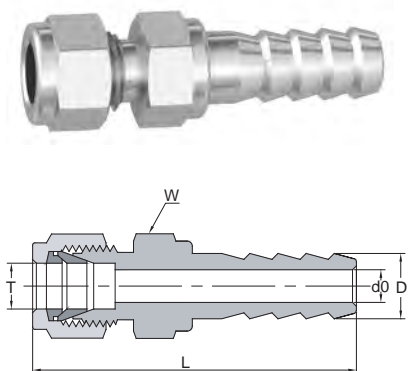
基本订货号 Order information	软管内径 (in) Hose inside diameter	P (NPT)	D		d0		L		W (in)
			英寸 (in)	毫米 (mm)	英寸 (in)	毫米 (mm)	英寸 (in)	毫米 (mm)	
-ZH1F-2-2	1/8	1/8	0.15	3.8	0.08	2.0	1.11	28.2	9/16
-ZH1F-2-4	1/8	1/4	0.15	3.8	0.08	2.0	1.26	32.0	3/4
-ZH1F-3-2	3/16	1/8	0.23	5.8	0.12	3.0	1.29	32.8	9/16
-ZH1F-3-4	3/16	1/4	0.23	5.8	0.12	3.0	1.44	36.6	3/4
-ZH1F-4-2	1/4	1/8	0.30	7.6	0.19	4.8	1.47	37.3	9/16
-ZH1F-4-4	1/4	1/4	0.30	7.6	0.19	4.8	1.64	41.7	3/4
-ZH1F-4-6	1/4	3/8	0.30	7.6	0.19	4.8	1.71	43.4	7/8
-ZH1F-5-4	5/16	1/4	0.38	9.7	0.19	4.8	1.73	43.9	3/4
-ZH1F-5-6	5/16	3/8	0.38	9.7	0.19	4.8	1.82	46.2	7/8
-ZH1F-5-8	5/16	1/2	0.38	9.7	0.19	4.8	1.95	49.5	11/16
-ZH1F-6-4	3/8	1/4	0.45	11.4	0.30	7.6	1.69	42.9	3/4
-ZH1F-6-6	3/8	3/8	0.45	11.4	0.30	7.6	1.87	47.5	7/8
-ZH1F-6-8	3/8	1/2	0.45	11.4	0.30	7.6	2.03	51.6	11/16
-ZH1F-8-6	1/2	3/8	0.60	15.2	0.38	9.7	2.10	53.3	7/8
-ZH1F-8-8	1/2	1/2	0.60	15.2	0.38	9.7	2.13	54.1	11/16
-ZH1F-8-12	1/2	3/4	0.60	15.2	0.38	9.7	2.20	55.9	13/8
-ZH1F-10-6	5/8	3/8	0.75	19.1	0.50	12.7	2.03	51.6	7/8
-ZH1F-10-8	5/8	1/2	0.75	19.1	0.50	12.7	2.10	53.3	11/16
-ZH1F-12-8	3/4	1/2	0.90	22.9	0.63	16.0	2.14	54.4	11/16
-ZH1F-12-12	3/4	3/4	0.90	22.9	0.63	16.0	2.24	56.9	13/8

◎ -ZH1T型卡套管转换接头 Adapter for sleeve tube



基本订货号 Order information	软管内径 (in) Hose inside diameter	T (NPT)	D		d0		L		W (in)
			英寸 (in)	毫米 (mm)	英寸 (in)	毫米 (mm)	英寸 (in)	毫米 (mm)	
-ZH1T-2-2	1/8	1/8	0.15	3.8	0.08	2.0	1.36	34.5	5/16
-ZH1T-2-4	1/8	1/4	0.15	3.8	0.08	2.0	1.46	37.1	3/8
-ZH1T-4-4	1/4	1/4	0.30	7.6	0.19	4.8	1.85	47.0	7/16
-ZH1T-4-6	1/4	3/8	0.30	7.6	0.19	4.8	1.91	48.5	7/16
-ZH1T-5-4	5/16	1/4	0.37	9.4	0.19	4.8	1.93	49.0	7/16
-ZH1T-5-6	5/16	3/8	0.37	9.4	0.19	4.8	2.03	51.6	9/16
-ZH1T-6-4	3/8	1/4	0.45	11.4	0.30	7.6	1.93	49.0	9/16
-ZH1T-6-6	3/8	3/8	0.45	11.4	0.30	7.6	1.99	50.5	9/16
-ZH1T-6-8	3/8	1/2	0.45	11.4	0.30	7.6	2.25	57.2	5/8
-ZH1T-8-6	1/2	3/8	0.60	15.2	0.38	9.7	2.06	52.3	11/16
-ZH1T-8-8	1/2	1/2	0.60	15.2	0.38	9.7	2.32	58.9	11/16
-ZH1T-12-8	3/4	1/2	0.90	22.9	0.63	16.0	2.41	61.2	7/8
-ZH1T-12-12	3/4	3/4	0.90	22.9	0.63	16.0	2.49	63.2	13/16
-ZH1T-16-12	1	3/4	1.20	30.5	0.88	22.4	2.86	72.6	13/8
-ZH1T-16-16	1	1	1.20	30.5	0.88	22.4	3.02	76.7	13/8

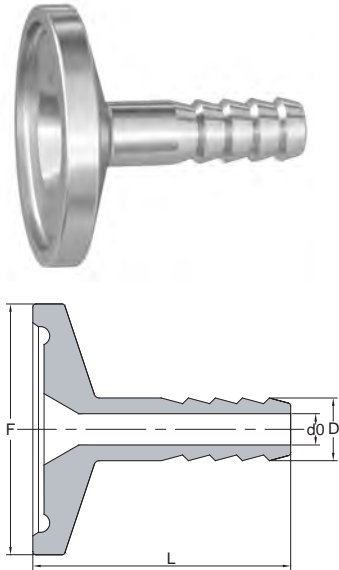
◎ -ZHSK型卡套式软管接头 Hose Coupling with ferrules



基本订货号 Order information	软管内径 (in) Hose inside diameter	T (NPT)	D		d0		L		W (in)
			英寸 (in)	毫米 (mm)	英寸 (in)	毫米 (mm)	英寸 (in)	毫米 (mm)	
-ZHSK-2-2	1/8	1/8	0.15	3.8	0.08	2.0	1.46	37.1	7/16
-ZHSK-4-2	1/4	1/8	0.30	7.6	0.19	4.8	1.85	47.0	7/16
-ZHSK-4-4	1/4	1/4	0.30	7.6	0.19	4.8	1.94	49.3	9/16
-ZHSK-6-4	3/8	1/4	0.45	11.4	0.30	7.6	2.01	51.1	9/16
-ZHSK-6-6	3/8	3/8	0.45	11.4	0.30	7.6	2.06	52.3	3/4
-ZHSK-8-8	1/2	1/2	0.60	15.2	0.41	10.4	2.24	56.9	7/8

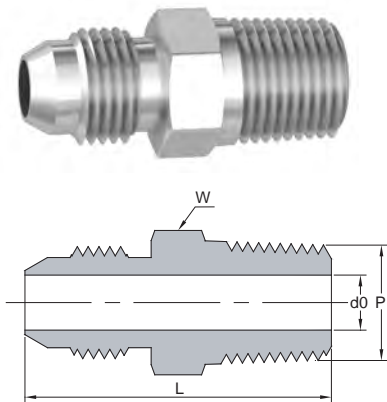
XYG-ZH Series Hose Coupling, Accessories & Hose Adapter

● -ZHWS型卫生级软管接头 Sanitary Hose Coupling



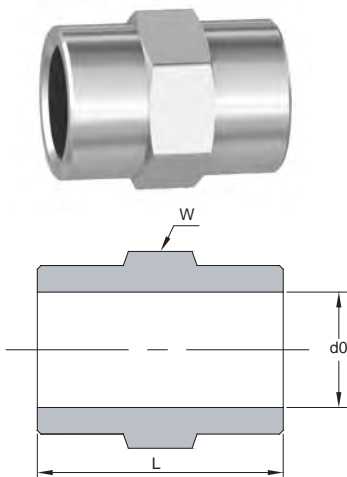
基本订货号 Order information	软管内径 (in) Hose inside diameter	夹子尺寸 Clamp Size (in)	D		d0		L		W	
			英寸 (in)	毫米 (mm)	英寸 (in)	毫米 (mm)	英寸 (in)	毫米 (mm)	英寸 (in)	毫米 (mm)
-ZHWS-3-8	3/16	1/2	0.98	24.9	0.23	5.8	0.12	3.0	1.10	27.9
-ZHWS-4-8	1/4	1/2	0.98	24.9	0.30	7.6	0.19	4.8	1.28	32.5
-ZHWS-6-8	3/8	1/2	0.98	24.9	0.45	11.4	0.30	7.6	1.36	34.5
-ZHWS-8-8	1/2	1/2	0.98	24.9	0.60	15.2	0.38	9.7	1.44	36.6
-ZHWS-3-16	3/16	1	1.98	50.3	0.23	5.8	0.12	3.0	1.50	38.1
-ZHWS-4-16	1/4	1	1.98	50.3	0.30	7.6	0.19	4.8	1.50	38.1
-ZHWS-6-16	3/8	1	1.98	50.3	0.45	11.4	0.30	7.6	1.50	38.1
-ZHWS-8-16	1/2	1	1.98	50.3	0.60	15.2	0.38	9.7	1.50	38.1

● -ZHAN型软管转换接头 Hose Adapter



基本订货号 Order information	软管内径 (in) Hose inside diameter	P (NPT)	d0		L		W (in)
			英寸 (in)	毫米 (mm)	英寸 (in)	毫米 (mm)	
-ZHAN-4-4	1/4	1/4	0.17	4.3	1.40	35.6	9/16
-ZHAN-6-4	3/8	1/4	0.28	7.1	1.43	36.3	5/8
-ZHAN-6-6	3/8	3/8	0.30	7.6	1.43	36.3	11/16
-ZHAN-8-8	1/2	1/2	0.39	9.9	1.75	44.5	7/8
-ZHAN-12-12	3/4	3/4	0.61	15.5	1.99	50.5	11/8
-ZHAN-16-16	1	1	0.84	21.3	2.30	58.4	13/8

● -ZHAL型软管接头套管 Sleeve for Hose Coupling



基本订货号 Order information	软管内径 (in) Hose inside diameter	d0		L		W (in)
		英寸 (in)	毫米 (mm)	英寸 (in)	毫米 (mm)	
-ZHAN-4-4	1/4	0.17	4.3	1.40	35.6	9/16
-ZHAN-6-4	3/8	0.28	7.1	1.43	36.3	5/8
-ZHAN-6-6	3/8	0.30	7.6	1.43	36.3	11/16
-ZHAN-8-8	1/2	0.39	9.9	1.75	44.5	7/8
-ZHAN-12-12	3/4	0.61	15.5	1.99	50.5	11/8
-ZHAN-16-16	1	0.84	21.3	2.30	58.4	13/8

SINYA

港商 扬中新亚自控工程有限公司
独资 YANGZHONG SINYA AUTO-CONTROL ENGINEERING CO., LTD.

地址：江苏省扬中经济开发区兴隆港北路

Add: Xinglong Port, Yangzhong, Zhenjiang, Jiangsu, China

电话(Tel): 0511-88783806

传真(Fax): 0511-88451691

网址(Http): www.sklok.com

邮箱(E-mail): sales@sklok.com info@sklok.com