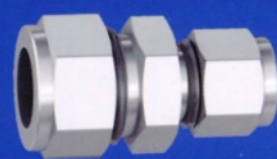
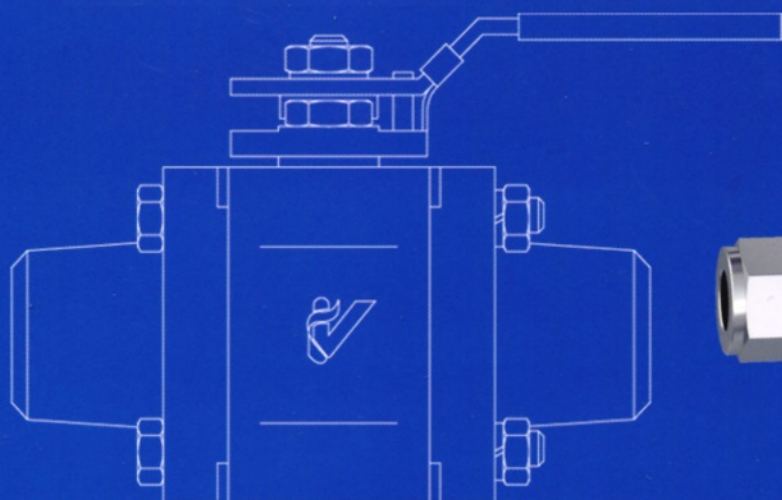




# SPIEC

上海洋畅工业设备有限公司

Shanghai Pacific Industrial Equipment Co., Ltd.





## 产品介绍

上海洋畅工业设备有限公司专业从事高品质仪表管件、阀门及流体连接的设计、开发、生产和销售,材质多样的产品适用各种高压、高温及腐蚀性环境。由于本公司在长期不断的研究开发过程中始终十分重视产品质量,在国内外享有一定的盛誉。公司致力于为客户提供最佳的产品和优质的服务。

Shanghai Pacific Industrial Equipment Co., Ltd is specialized in the R&D, manufacturing and sales of high quality tube fittings, valves and fluid connectors. Our products made of various materials could be used in high-pressure, high temperature and corrosive environment. We have gained good reputation from domestic & overseas customers and we always place great emphasis on quality. We commit ourselves to supply best products & service for customers.



### XYG-SK(LOK)系列双卡套管接头

尺寸 1/16~1in  $\varnothing$ 2~ $\varnothing$ 25mm卡套管

首次安装后具有一致的可检测性

易于拆卸和重新安装

备有各种结构和各种材质

### XYG-SK(LOK) Tube Fitting with Double Ferrules

Size: 1/16~1in  $\varnothing$ 2~ $\varnothing$ 25mm Tube

It can be inspected in accordance after first installation.

Easy to be removed and reinstalled.

It can be made in different structures of different materials.

### XYG-QD系列铜制气动管接头

规格  $\varnothing$ 3~ $\varnothing$ 12mm铜管及塑料管

材料 黄铜、304、316不锈钢

安装方便,密封可靠,可重复使用

### XYG-QD Brass pneumatic tube fitting

Size:  $\varnothing$ 3~ $\varnothing$ 12mm Brass tube & Plastic pipe

Material: Brass, 304, 316SS

Convenient installation, stable sealing & repetitive usage.



### XYG-LW系列螺纹管接头

螺纹尺寸1/16~1in M10~M33

材料 304、316、黄铜和碳钢

螺纹标准NPT、PT、ISO/BSP、M

### XYG-LW Threaded Tube Fitting

Thread Size: 1/16~1in M10~M33

Material: 304, 316, Brass, CS

Thread standard: NPT, PT, ISO/BSP, M



### XYG-GH系列焊接接头

规格 1/8~1in  $\varnothing$ 6~ $\varnothing$ 25mm

材料 304、316、316L和碳钢

适用于手动或自动焊接的接头

### XYG-GH Welded Fitting

Size: 1/8~1in  $\varnothing$ 6~ $\varnothing$ 25mm

Material: 304, 316, 316L, CS

Applicable for fittings of manual welding & auto welding.



### XYG-PD系列平垫焊接接头

规格  $\varnothing 6 \sim \varnothing 42\text{mm}$

材料 304、316、316L和碳钢

适用于手动焊接的接头

### XYG-PD Welded Fitting with flat washes

Size:  $\varnothing 6 \sim \varnothing 42\text{mm}$

Material: 304、316、316L、CS

Applicable for fittings of manual welding.

### XYG-ZM系列24° 锥密封焊接接头

规格  $\varnothing 8 \sim \varnothing 38\text{mm}$

材料 304、316、316L和碳钢

适用于手动焊接的接头

### XYG-ZM 24° Welded fitting with core sealing

Size:  $\varnothing 8 \sim \varnothing 38\text{mm}$

Material: 304、316、316L、CS

Applicable for fittings of manual welding.



### XYG-KK系列37° 扩口式接头

规格  $1/8 \sim 2\text{in } \varnothing 6 \sim \varnothing 38\text{mm}$

材料 304、316、316L、黄铜和碳钢

符合美国汽车工程师协会 (SAE J514) 标准

### XYG-KK 37° Flared Fitting

Size:  $1/8 \sim 2\text{in } \varnothing 6 \sim \varnothing 38\text{mm}$

Material: 304、316、316L、Brass & CS

Confirm to the standard SAE J514.

### XYG-ZH系列软管接头、附件和软管转换接头

能方便地安装塑料软管或橡胶管

材料 304、316、黄铜或碳钢

能牢固连接软管内径，可重复使用

### XYG-ZH Hose Coupling, Accessories & Hose Adapter

Be convenient to install plastic flexible hose or rubber hose.

Material: 304、316、Brass or CS

Be able to connect the hose inner diameter and be used repeatedly.





### XYG-KC系列快插接头

规格 1/8~1in  $\varnothing$ 3~ $\varnothing$ 22mm

材料 304、316、黄铜和碳钢镀锌

结构紧凑,体积小,只要一人操作即可

### XYG-KC Quick Connector

Size: 1/8~1in  $\varnothing$ 3~ $\varnothing$ 22mm

Material: 304、316、Brass & Galv. CS

Compact structure with small size for one person operation.

### XYG-ZK系列真空管接头

规格 1/8~1in  $\varnothing$ 3~ $\varnothing$ 22mm

材料 304、316和FKM O形圈

密封性能可靠,可重复使用

### XYG-ZK Vacuum Fitting

Size: 1/8~1in  $\varnothing$ 3~ $\varnothing$ 22mm

Material: 304、316 & FKM O Ring

Stable sealing for repetitive usage.



### XYG-TW系列温度仪表连接件

用于测温元件在管道上安装的各种接头

材料 304、316、20、16mn和特殊材质

适用于手动焊接场所

### XYG-TW Joints for Temperature Meters

Used to install the temperature-measured component on the pipes.

Material: 304、316、20、16mn & Special Material

Applicable for manual welding

### XYG-FG系列仪表辅助容器

规格 DN50、DN80、DN100

材料 304、316及特殊材质

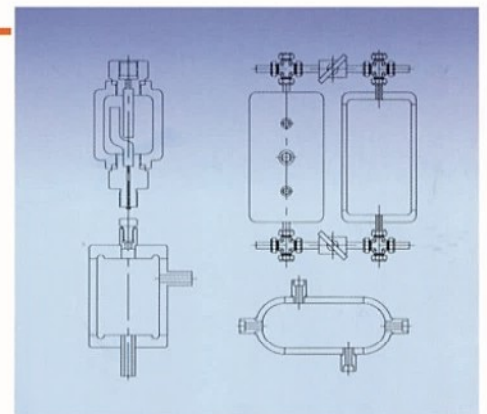
适用于手动焊接场所

### XYG-FG Instrument Auxiliary Vessel

Size: DN50、DN80、DN100

Material: 304、316 & Special material

Applicable for manual welding





### XYF-JZT系列整体阀帽式针阀

整体结构设计紧凑  
 动载荷密封系统  
 工作压力高达6000psi(413 bar)  
 工作温度高达315°C(600 °F)

### XYF-JZT Needle Valve with one-piece bonnet

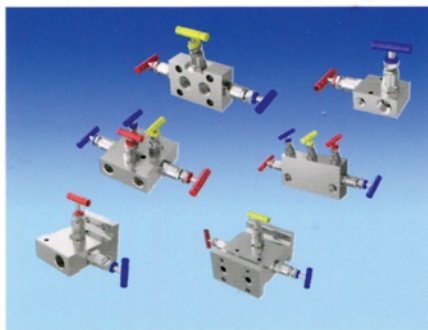
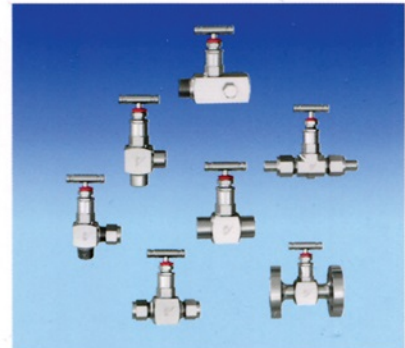
A whole structure with compact design  
 Changeable loading sealing system  
 Operating pressure up to 6000psi(413 bar)  
 Operating temperature up to 315°C(600 °F)

### XYF-JFT系列分体阀帽针阀

分体结构,设计合理  
 使用温度根据填料确定  
 工作压力6000psi(413 bar)  
 各种结构和材质可选

### XYF-JFT Needle Valve with Split Bonnet

Split structure with reasonable design  
 Operating temperature is determined by the filling stuff used.  
 Operating pressure 6000psi(413 bar)  
 Different structures & materials for selection.



### XYF-JFG系列仪表阀组

2、3和5仪表阀组可选择  
 工作压力达6000psi(413 bar)  
 使用温度根据选择用填料确定

### XYF-JFG Instrument Manifolds

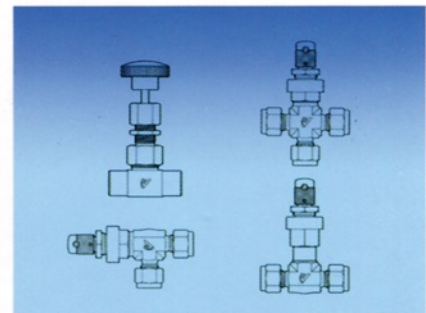
2-valve, 3-valve and 5-valve for selection  
 Operating Pressure up to 6000psi(413 bar)  
 Operating temperature is determined by the filling stuff used.

### XYF-JJG系列计量阀

取样系统精确计量  
 直型、角型和三通可供  
 工作压力达5000psi(344 bar)  
 材料 304、316和黄铜

### XYF-JJG metering valve

Accurate measurement for sampling system  
 Straight type, angle type and T-type for selection  
 Operating Pressure up to 5000psi(344 bar)  
 Material: 304、316, Brass

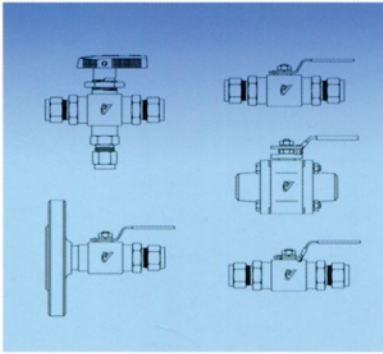


### XYF-QZT系列整体式仪表球阀

开关切换,交叉转换流动路径  
 工作压力达3000psi(206 bar)  
 温度范围-53~148°C(-65~300 °F)  
 端接尺寸1/8~3/4in  $\varnothing$ 3~ $\varnothing$ 12mm

### XYF-QZT one-piece instrument ball valve

On-Off switchable with flow switched crossly.  
 Operating pressure up to 3000psi(206 bar)  
 Temperature range: -53~148°C(-65~300 °F)  
 End Connection Size: 1/8~3/4in  $\varnothing$ 3~ $\varnothing$ 12mm



### XYF-QFT系列分体式仪表球阀

双向介质流动,各种结构可选择  
 工作压力达6000psi(412 bar)  
 温度范围-46~232℃(-51~450 °F)  
 端接尺寸1/8~2in  $\varnothing 3 \sim \varnothing 42\text{mm}$

### XYF-QFT Split Instrument Ball Valve

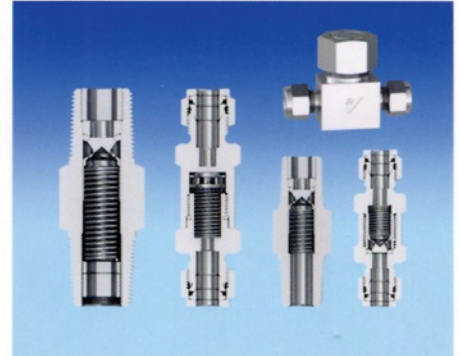
Bi-directional flowing with different structures for selection  
 Operating pressure up to 6000psi(412 bar)  
 Temperature range: -46~232℃(-51~450 °F)  
 End Connection Size: 1/8~2in  $\varnothing 3 \sim \varnothing 42\text{mm}$

### XYF-CKV系列单向阀

可调节和固定的开启压力  
 端接尺寸多种末端连接  
 工作压力达6000psi(413 bar)  
 材料304、316和铜

### XYF-CKV Non-return valve

Adjust and fix the opening pressure  
 End connection size for different end connection.  
 Operating Pressure up to 6000psi(413 bar)  
 Material: 304、316, Brass



### XYF-TH系列过滤器

适用于气体和液体  
 过滤流体中粒子状和污染物  
 端接尺寸1/8~1/2in  $\varnothing 3 \sim \varnothing 12\text{mm}$   
 材料 304、316和铜

### XYF-TH filter

Applicable for gas and liquid  
 Filter the particles or dust out from the fluid  
 End connection size: 1/8~1/2in  $\varnothing 3 \sim \varnothing 12\text{mm}$   
 Material: 304、316 & Brass

### XYF-JFQ系列气源分配器

集中供气,可控制各个回路  
 端接尺寸1/8~1/2in  $\varnothing 3 \sim \varnothing 12\text{mm}$   
 供气点数根据需要提供  
 工作压力150~1000psi(10.3~69 bar)

### XYF-JFQ air supply distributor

Concentrate to supply air for every roop controlling.  
 End connection size: 1/8~1/2in  $\varnothing 3 \sim \varnothing 12\text{mm}$   
 The feed numbers would be determined according to requirements.  
 Operating Pressure: 150~1000psi(10.3~69 bar)



### XYF-JPF系列排放阀和清洗阀

排放、清洗自选  
 工作压力达6000psi(413 bar)  
 适用温度315~454℃(600~850 °F)  
 材料 不锈钢、碳钢、铜和合金钢

### XYF-JPF Drainage Valve & Cleaning Valve

Drainage or cleaning for selection  
 Operating Pressure up to 6000psi(413 bar)  
 Applicable Temperature: 315~454℃(600~850 °F)  
 Material: SS, CS, Brass & Alloy steel